

SPECIFICATION	Technical Specifications for Coat Hook modules for ALSTOM-LHB design Coaches	MDTS: 0.7.1/Rev: PAGE 1 OF 3 Dated 05.12.2000

NAME	DESIGNATION	SIGNATURE	DATE	LEVEL
HARISH KUMAR	SSE/TOT	<i>[Signature]</i>	5/12/20	Prepared
VINITA SAINASTUA	SME/UD	<i>[Signature]</i>	5/12/20	Agreed
VINEK SHEEL	Dy. CME/NGC	<i>[Signature]</i>	5/12/20	Reviewed
ARVIND KHARE	CDE	<i>[Signature]</i>	7/12/20	Approved

Issue/Rev	Details of Changes	Date

*[Signature]* 5/12/20  
Prepared By



*[Signature]*  
Agreed By

SPECIFICATION	Technical Specifications for Coat Hook modules for ALSTOM-LHB design Coaches	MDTS:071. Rev: PAGE 2 OF 3
		Dated 05.12.2000

### Scope:

This specification covers the general and technical requirements of Coat Hook for ALSTOM-LHB Design chair cars.

### Applicability :


The Coat hook are to be fitted in Executive & Second class AC chair car coaches of ALSTOM-LHB design which will be manufactured at RCF, Kapurthala.

Second class AC chair car coach -- 78 per coach  
Executive Class AC chair car coach -- 48 per coach as shown in drawing no. 1 10113.0.25.320.001 alt 'nil' at annexure 1.

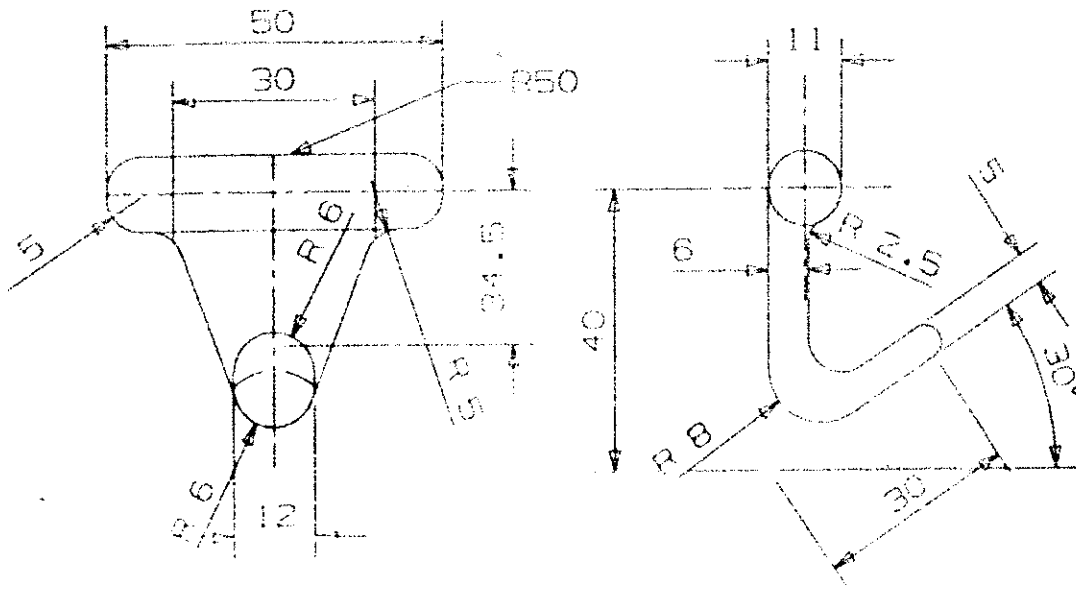
### Functional Requirements :

- 1.0 The Coat hook shall be made up from injection moulded polyamide base plastic. The finished dimensions of the coat hook will be as per drawing no. placed at Annexure-2.
- 2.0 The finish & colour of the coat hook shall be smooth & glossy to RAL-9006 color shade.
- 3.0 The Interfaces of the coat hook with coach interior are indicated in drawing no. 1 10113.0.25.320.001 alt 'nil' at Annexure 1. Supplier must demonstrate proper fitment with one prototype sample.
- 4.0 The Coat hook must withstand upto 10 kg gradual load and 20 kg impact load without visual deformation .

  
Prepared By

  
Agreed By





5

PROCESS :- INJECTION MOLDING

COLOUR & FINISH :- RAL 9006, SMOOTH & GLOSSY.

MAT & SPEC. :- POLYAMIDE BASE PLASTIC.

COAT HOOK

ANNEXURE-2

MDTS 071

1. 1 10113.0.25.320.001 alt - ~~000~~ B  
with Bom. (3 sheets)

(S)