

**PROVISION OF TDR IN CONTROL CIRCUIT OF NET-1 & NET-2 IN
SWITCH BOARD CABINET FOR LHB COACHES**

Scope:

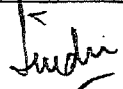
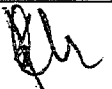
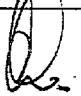
Supply and installation of Time Delay Relay (TDR) in Control Circuit of NET-1 & NET-2 in Switch Board Cabinet of LHB AC & NAC Coaches & power Car.

Scope of Supply:

S.No.	Description	Cat no. and make	QPC
1.	Electronic Time Delay Relay with NO+NC contact Operating voltage 415V AC	3RP1576-1NM20 8K of M/s Siemens or ABB make.	02 nos.
2.	HRC Fuse 8x32mm,0.5Amp with base	C08G0.5 & CH081D of M/s Bussman or equivalent approved make	02 nos.
3.	E-Beam Cable 1.5 sq.mm, data sheet 2A ,Table-1.	ELRS/SPEC/ELC-0019, Rev-4 or latest.	Lot
4.	Crimping sockets, Marking ferrules and other wiring accessories required at site	Approved makes only	Lot

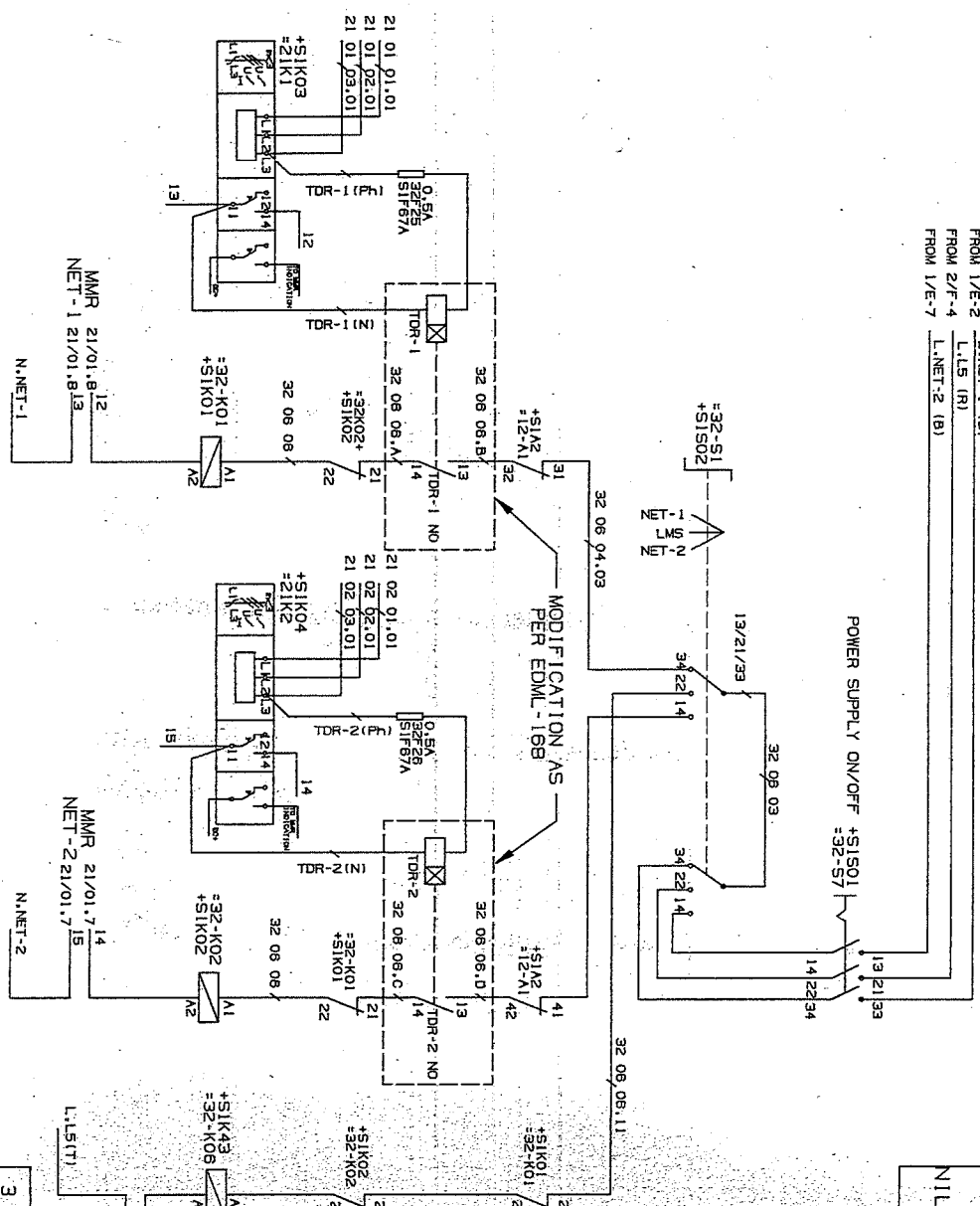
Note:-

- The TDR shall be provided in the control wiring comprising of supply, installation and commissioning by the supplier in the switch board cabinet of LHB AC coaches, power cars and NAC coaches.
- The modifications shall be done as per wiring scheme for NET1 & NET2 issued vide drawing no. DD70202 alt nil.
- E-Beam cable, Ferrules, hardware & other accessories required for installation/ commissioning shall be of approved makes only and in the scope of supply of the supplier.
- Color coding of the cables and wiring shall be in line with requirements stipulated in spec. no RDSO/PE/SPEC/AC/184 Rev.1.

EDML-168	Nil	21.10.2019				1 of 1
Document No.	Rev.	Date	SSE/CAD	SEE/D	Dy.CEE/D&D	Page

37840

FROM 1/E-2
L.NET-1 (B)
L.LS (R)
FROM 2/F-4
L.NET-2 (B)
FROM 1/E-7



NOTE:
1. CABLE COLOUR IN CONTROL CIRCUIT SHALL BE AS PER EXISTING COLOR CODE.
2. HIGH VOLTAGE (750V) WIRING DIAGRAM IS MODIFIED FOR LHB EOG AG DOUBLE DECKER COACHES.
3. REFER DRAWING NO. DD70201, ALT-1, 9, SHEET 10 FOR COACHES/POWER CARS AND LHB EOG NON-AG COACHES.
4. REFER DRAWING NO. DD70201, ALT-1, 9, SHEET 10 FOR COACHES/POWER CARS AND LHB EOG NON-AG COACHES.
5. REFER DRAWING NO. DD70201, ALT-1, 9, SHEET 10 FOR COACHES/POWER CARS AND LHB EOG NON-AG COACHES.

DETAIL DRGS STARTING WITH 'L.I.' ARE INTERNAL REFERENCE LISTS ONLY AND ARE NOT FOR ISSUE.
THIS IS A COMPUTER GENERATED DRAWING. ANY MANUAL ALTERATION SHALL AUTOMATICALLY RENDER IT INVALID.
FOR UNTOLEERANGED DIMENSIONS REFER MDG0008 DATE OF FIRST ISSUE 30/09/2019

ALT. NO	ALT. DATE	ZONE	ALTERATIONS	AUTHORITY
NIL	NIL	NIL	NIL	NIL

ITEM	DESCRIPTION & DIMENSIONS	QUANTITY	DETAIL DRG	MATL. & SPEC.	REMARKS
1	HRC FUSE BXZMM 0.5A, WITH FUSE BASE	2	NIL	CAT NO. - COB80-EM/S BUSSMAN	
2	1.5 SOHM THIN WALLED ELECTRONIC TIME DELAY RELAY	2	NIL	ELRS/SPEC/ELC -0019, REV-4	NIL
3	PROVISION OF TDR IN CONTROL CIRCUIT OF NET-1 AND NET-2 IN SBC	2	NIL	SP/1579-IMZ0	OR SIEMENS OR EQUIVALENT

WELD LENGTH: NIL
WEIGHT: NIL
S. AREA: NIL
L. LENGTH: NIL
H. HEIGHT: NIL

PROVISION OF TDR IN CONTROL CIRCUIT OF NET-1 AND NET-2 IN SBC

RAIL COACH FACTORY, KAPURTHALA

PL NO. NIL
DRG. NO. DD70202

SCALE: 1:1
SHEET: 1/1