

**SET OF DIFFUSERS FOR PARTIALLY AIRCONDITIONED MG/DEMU
DPC TYPE COACHES FOR SENEGAL MALI**

Sno.	Description	Drawing no.	QPC	Location
1.	Diffuser Complete	FK76003	02	Under Speaker
2.	Diffuser Complete	FK76004	06	To cover the clear space.
3.	Diffuser Complete	FK76007	07	Under FLD

The packing conditions shall be as follows:

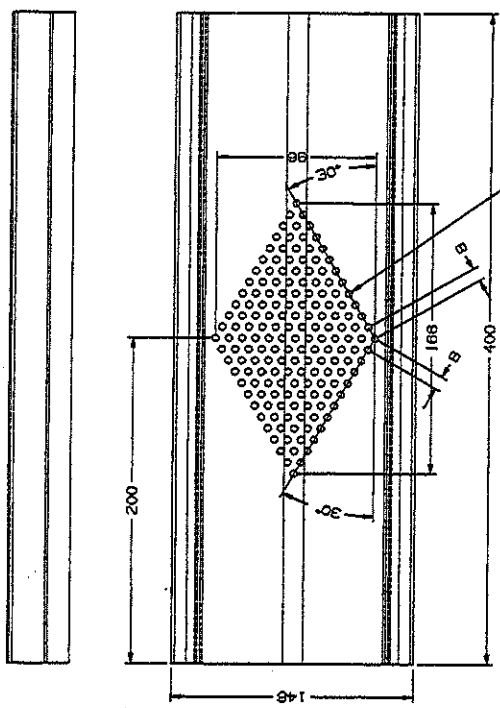
Stage-1: Standard packing of Diffuser assembly shall be made as per packing conditions to document PI042.

Stage-2: Packing per coach set shall be as per conditions document no. P1021. The packing shall be legibly marked for the type of coach applicable for.

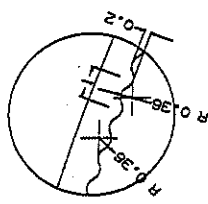
Stage-3: Bulk packing of the material shall be as per packing conditions to document no. PI032. Each packing shall be legibly marked for the type of coach applicable for.

EDML124	0	18.11.09	<i>RKew</i>	<i>Qz</i>	<i>inlets</i>	<i>RD</i>	
Doc. No.	Rev	Date	SE/CAD	SSE/CAD	SEE/D	DYCEE/D&D	Pg 1 of 1

1	2	3	4	5	6	7	8	9	10	11	12	13
ALTERATIONS										ALTERNATIVE ZONE		AUTHORITY
NIL										NIL		NIL
NIL										NIL		NIL



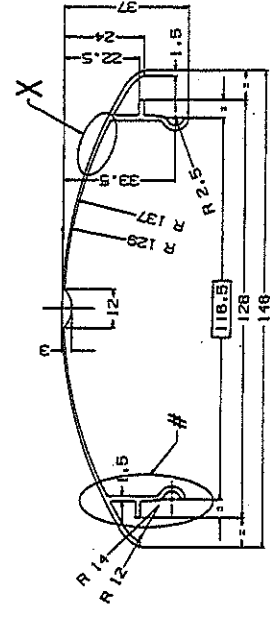
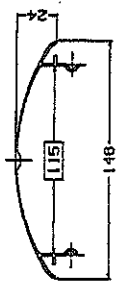
Ø 4.13 HOLES IN EACH ROW & EACH COLUMN



DETAIL AT - X

- #7. ITEM SHALL BE SUITABLE FOR CLAMPING WITH THE SPRING SHOWN IN DRG. NO. FJ44127. ADEQUATE STRENGTH/TREATMENT SHALL BE GIVEN TO THIS PART TO ENSURE IT DOES MAKE/BRAKE OPERATIONS.
- DIFFUSER SHALL BE MADE FROM POLYCARBONATE GRABS OF GE PLASTICS ONLY AND SHALL BE TRANSPARENT WITH 100% TRANSMITTANCE TO 300 NANOMETERS.
 - DIFFUSER SHALL BE FREE FROM SCRATCHES, AIR BUBBLES AND HOLES ETC.
 - DIFFUSER SHALL BE INJECTION MOLDING/EXTRUDED ONLY.
 - FRAMED DIMENSIONS SHALL BE STRICTLY ADHERED TO.
- NOTE: -

DETAIL DROS STARTING WITH "LI" ARE INTERNAL REFERENCE LISTS ONLY AND ARE NOT FOR ISSUE
 ANY MANUAL ALTERATION SHALL AUTOMATICALLY RENDER THIS DRAWING INVALID.
 FOR UNTOLERANCED DIMENSIONS REFER HD00009 DATE OF FIRST ISSUE 14/11/2006



ENLARGED SIDE VIEW

ITEM	DESCRIPTION & DIMENSIONS	NIL	NIL	NIL	NIL	POLYCARBONATE	NIL
WELD LENGTH							
NIL							
WEIGHT							
NIL							
AREA							
LENGTH / DIA							
NIL							
WIPPT-7							
NIL							
HEIGHT							
NIL							
DIFFUSER (L=100MM)							
MG/EOG/AC/EXECUTIVE CHAIR CAR (FOR SENEAL RAILWAYS)							
INDIAN RAILWAYS STANDARD							
RAIL COACH FACTORY, KAPURTHALA							
PL NO. NIL							
DRG. NO. FK76003							
SCALE: ASSE/ED							
DATE: 14/11/2006							
SHEET NO. 1/1							

