




Halogen free, polyamide type accessories with Pg/Metric threads required for wiring of various type of under frame equipments of hybrid 3-tier sleeper cum pantry coach:

Table-1: Halogen free, polyamide type accessories with Pg/Metric threads required for wiring of various types of **Alternator wiring** with ERRU:

Sr. No.	Description	As per Spec. no: EDTS291, Rev-'0'	Total unit/coach	Location
1.	End fitting, Pg-21	Table 3, item-5	8 Nos.	Alternator terminal box and cable box
2.	Hex. Lock Nut, Pg-21	Table-12, item-6	16 Nos.	
3.	Polyamide flexible conduit, Pg-21	Table-1, item-7	14 Mtrs.	Alternator cable box to terminal box
4.	Tube clamp, Pg-21	Table-10, item-5	4 Nos.	Alternator
5.	M.S Washers	SKED-426 (item-2)	4 Nos.	Alternator cable boxes

Table-2: Halogen free, polyamide type accessories with Metric/Pg threads required for **ERRU wiring**:-

Sr. No.	Description	Cat/No.	Total Unit/Coach	Location
1.	End fitting, M50	Table-2, item-23	2 Nos.	ERRU and Junction box (AC Side)
2.	Hex. Lock Nut, M50	Table-11, item-7	4 Nos.	
3.	End fitting, Pg-48	Table-3, item-9	2 Nos.	ERRU and junction box (DC Side)
4.	Hex. Lock Nut, Pg-48	Table-12, item-10	4 Nos.	
5.	Polyamide flexible conduit, Pg-48	Table-1, item-10	2 Mtrs.	ERRU and junction box (DC Side)
6.	Polyamide flexible conduit, Pg-36	Table-1, item-9	2 Mtrs.	ERRU and junction box (AC Side)
7.	Tube clamp, Pg-36	Table-10, item-7	2 Nos.	ERRU and junction box (AC Side)
8.	Tube clamp, Pg-48	Table-10, item-8	2 Nos.	ERRU and junction box (DC Side)

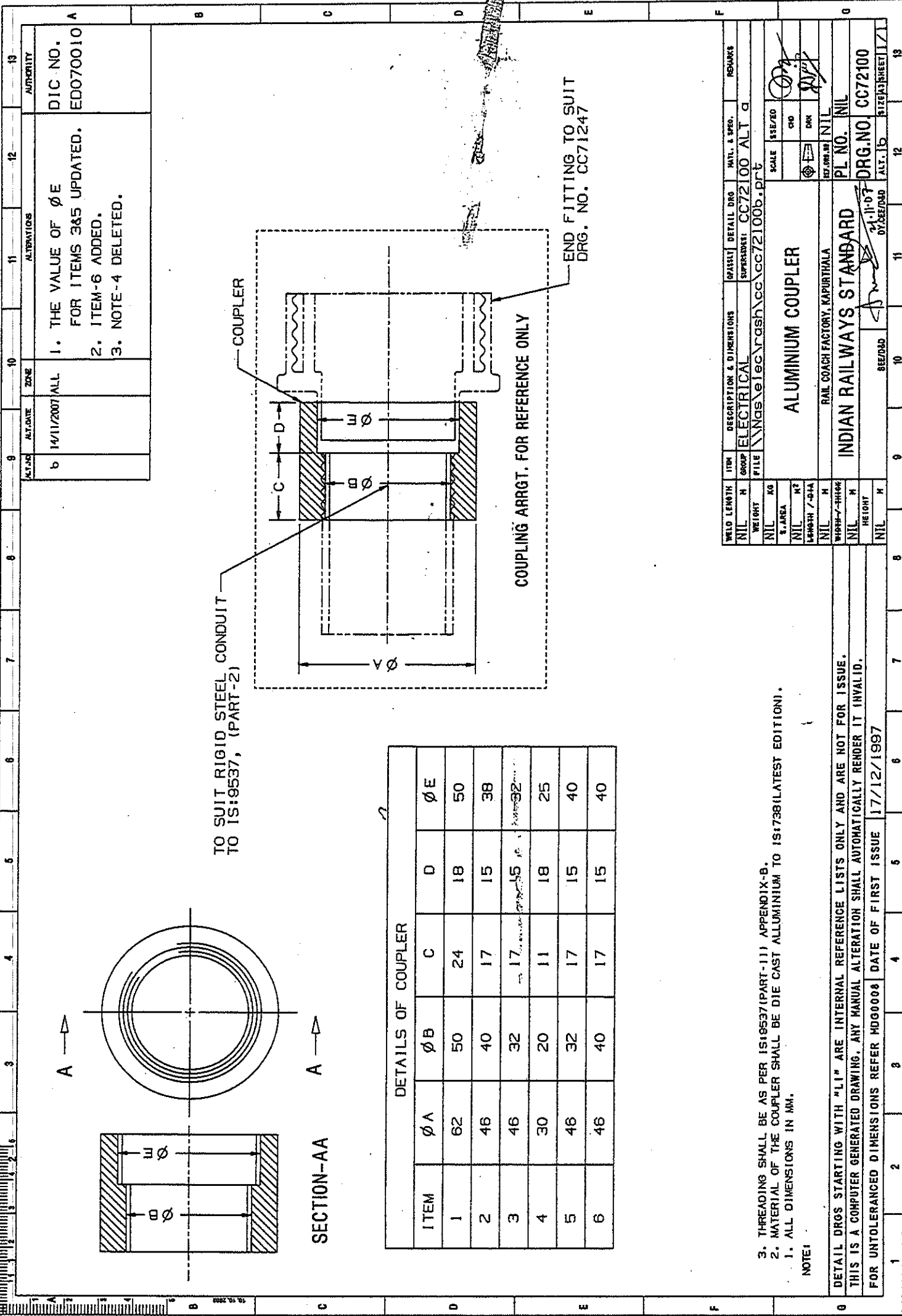
EDML-123	00	04.02.2010				1 of 2
Document No.	Rev.	Date	SE/CAD	SEE/D	DY. CEE/D&D	Sheet

File name: \\150.10.23.47\mkta_23.47\EDML\EDML-123.doc
 Dated: 2/4/2010

Table-3: Halogen free, Polyamide type accessories with Metric threads required for wiring of various types of under frame equipments of hybrid 3-tier sleeper cum pantry coach:

Sr. No.	Description	As per. Spec. no: EDTS291, Rev-'0'	Total Unit/Coach	Location
1	End fitting, M50	Table-2, item-23	26 Nos.	
2	Hex. Lock Nut, M50	Table-11, item-7	15 Nos.	
3	Polyamide flexible conduit, Pg36	Table-1, item-9	28 Mtrs.	
4	Aluminium Coupler, 50mm	CC72100 (Item-1)	13 Nos.	For U/S Inv. Rigid conduits etc. wiring
5	Tube clamp, Pg36	Table-10, item-7	45 Nos.	For clamping of conduit on U/F
6	End fitting, M32	Table-2, item-15	13 Nos.	B. Box-1 & 2 wiring
7	Hex. Lock Nut, M32	Table-11, item-5	11 Nos.	
8	Polyamide flexible conduit, Pg21	Table-1, item-7	10 Mtrs.	
9	Aluminium Coupler, 32mm	CC72100 (Item-3)	02 Nos.	For clamping of Pg21 conduits on U/F
10	Tube clamp, Pg21	Table-10, item-5	15 Nos.	
11	End fitting, Pg11	Table-3, item-2	04 Nos.	
12	Hex. Lock Nut, Pg11	Table-12, item-3	04 Nos.	
13	Polyamide flexible conduit, PG11	Table-1, item-3	21 Mtrs.	
14	Tube clamp, Pg11	Table-10, item-3	06 Nos.	For clamping of Pg11 conduits on pump

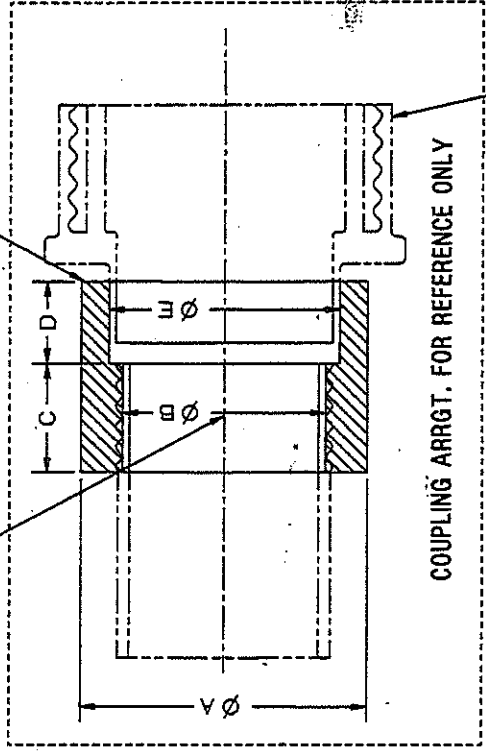
EDML-123	00	04.02.2010				2 of 2
Document No.	Rev.	Date	SE/CAD	SEE/D	DY.CEE/D&D	Sheet



- ALTERNATIONS
- | | | |
|----|-----------|------------------|
| 10 | ZONE | |
| 9 | ALT. DATE | b 14/11/2007/ALL |
| 8 | ALT. NO. | |
1. THE VALUE OF ØE FOR ITEMS 3&5 UPDATED.
 2. ITEM-6 ADDED.
 3. NOTE-4 DELETED.

19 AUTHORITY
 DIC NO. ED070010

TO SUIT RIGID STEEL CONDUIT TO IS:9537, (PART-2)



DETAILS OF COUPLER

ITEM	ØA	ØB	C	D	ØE
1	62	50	24	18	50
2	46	40	17	15	38
3	46	32	17	15	32
4	30	20	11	18	25
5	46	32	17	15	40
6	46	40	17	15	40

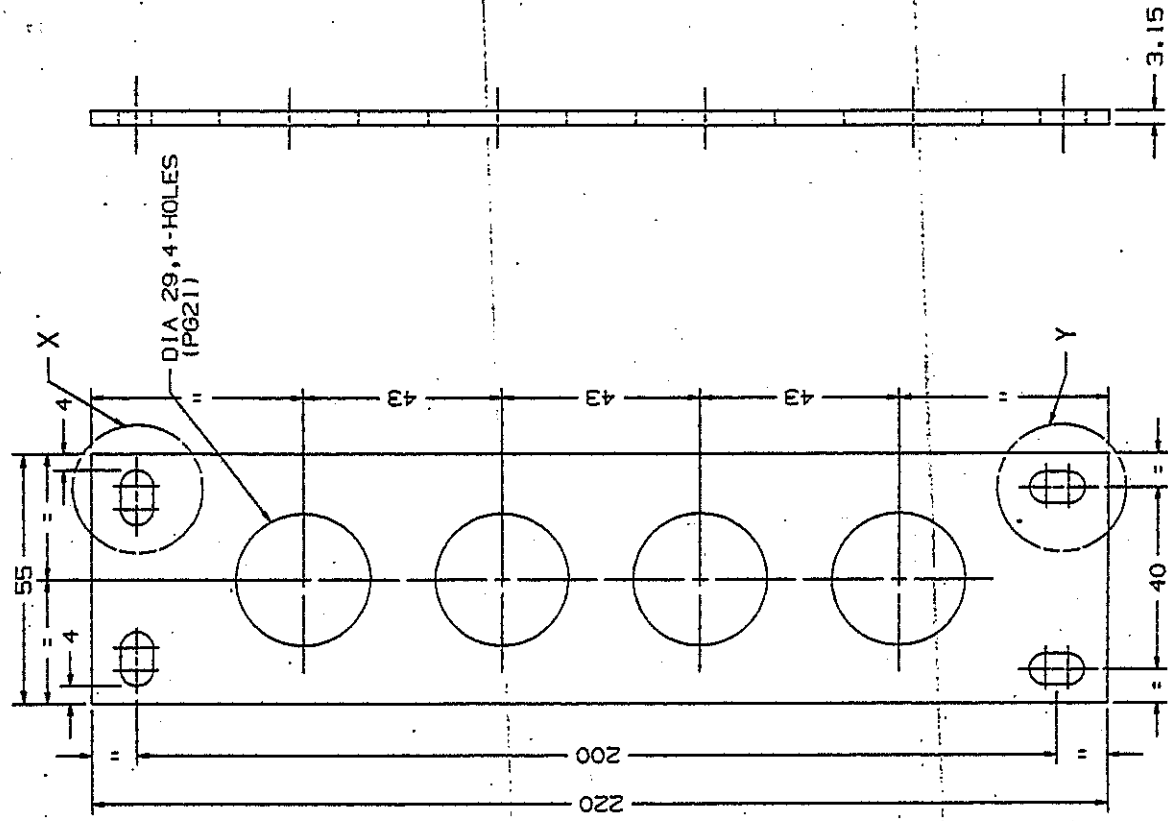
- NOTE:
3. THREADING SHALL BE AS PER IS18537(PART-11) APPENDIX-B.
 2. MATERIAL OF THE COUPLER SHALL BE DIE CAST ALLUMINIUM TO IS1738(LATEST EDITION).
 1. ALL DIMENSIONS IN MM.

DETAIL DRS STARTING WITH "LI" ARE INTERNAL REFERENCE LISTS ONLY AND ARE NOT FOR ISSUE.
 THIS IS A COMPUTER GENERATED DRAWING. ANY MANUAL ALTERATION SHALL AUTOMATICALLY RENDER IT INVALID.
 FOR UNTOLERANCED DIMENSIONS REFER MDG0008 DATE OF FIRST ISSUE 17/12/1997

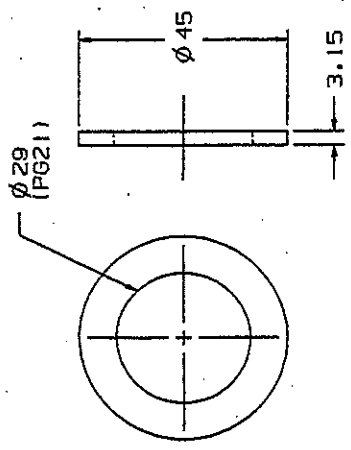
ITEM	DESCRIPTION & DIMENSIONS	QUANTITY	DETAIL DRS	MATL. & SPEC.	REMARKS
GROUP	ELECTRICAL		CC72100	ALT a	
FILE	\\ngs\elec\rash\cc72100b.prt				
NO					
SCALE	AS/ISSUED				
CD					
DRN					
ESTD					
PL NO.	NIL				
DRG.NO	CC72100				
ALT.	15				
SIZE	A3				
SHEET	1/1				

ALY. NO.	ALT. DATE	ZONE	ALTERATIONS	AUTHORITY
NIL	NIL	NIL	NIL	NIL

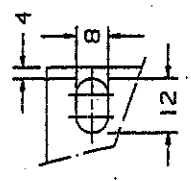
(S)



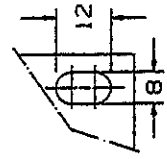
ITEM-1



ITEM-2



DETAIL AT-X



DETAIL AT-Y

3. FIRM SHALL TAKE PRIOR APPROVAL FROM OFFICE OF THE CEE/RCF AFTER FITMENT OF THE ITEMS ON THE ALTERNATOR BEFORE BULK SUPPLY.
2. THE BRACKET AND WASHER SHALL BE POWDER COATED TO DEEP BLUE COLOUR TO COLOUR SHADE NO. 169 OF M/S BERGER OR EQUIVALENT M/S NEROLAC PAINTS.
1. ALL DIMENSIONS IN MM.

NOTES:-

WELD LENGTH	ITEM NO	WASHER	1	NIL	IS 11078-94	NIL
NIL	1	BRACKET 3.15X55X220	1	NIL	IS 11078-94	NIL
WEIGHT	DESCRIPTION & DIMENSIONS	ELECTRICAL	DETAIL DRG	REMARKS		
NIL	FILE	\\nos\elect\ash\sked\sked426.prt	REVISION			
S. AREA	DETAILS OF ACCESSORIES FOR ALTERNATOR WIRING (FOR 60/AC & NON AC COACHES)		SCALE	ISSUED		
LENGTH / DIA	RAIL COACH FACTORY, KAPURTHALA		CHK	BY		
HEIGHT	INDIAN RAILWAYS STANDARD		BY	DATE		
			PL. NO.	NIL		
			DRG. NO	SKED-426		
			ALT.	NIL		

DETAIL DRGS STARTING WITH "LI" ARE INTERNAL REFERENCE LISTS ONLY AND ARE NOT FOR ISSUE
 ANY MANUAL ALTERATION SHALL AUTOMATICALLY RENDER THIS DRAWING INVALID.
 FOR UNTOLERANCED DIMENSIONS REFER HDG0008 DATE OF FIRST ISSUE 05/03/2005

1	2	3	4	5	6	7	8	9	10
---	---	---	---	---	---	---	---	---	----