

SPECIFICATION FOR REVERSE BAYONET 6-PIN CONNECTOR (i.e POWER : 50A,415V & CONTROL: 23A,415V) FOR 25KVA INVERTER SUPPLY IN MG/DEMU DPC & TC TYPE COACHES FOR SENEGAL MALI.

1. Scope:

This document covers Supply, Commissioning & Testing of 6-pin Reverse Bayonet Connector (Power & Control) for 25KVA Inverter supply to cater the either RMPU load (5T) in MG/DEMU/DPC/TC coaches. The technical parameters and scope of supply for Reverse Bayonet 6-pin Connector for MG/DEMU/DPC & TC coaches shall be as per details mentioned at Cl. 3.0 of the document.

2. Technical Parameters:

a). Material:

- Shell/Coupling ring : Aluminium Alloy
- Contacts : Copper Alloy
- Insert : Low Smoke Zero Halogen Rubber

b). Finishes:

- Shells/ Coupling Ring : Electro-pheratic finish
- Contacts : Silver Plating

c). Environmental Performances:

- Operating Temperature : -55°C to +125°C
- Corrosion Resistance : 96 Hrs.


d). Mechanical Properties:

- Durability : 500+ Mating Cycles
- Contact Termination : Crimp in type
- Contact Retention : Size 0 = 25 Lb

e). Electrical Performance:

A) Current Rating:

Contact Size	Rated Current	No Of Contact	Type Of Contact
0	50A	3	Power
12	16A	3	Control

EDML120	0	01.12.09					
Doc. No.	Rev	Date	SE/CAD	SSE/CAD	SEE/D	DYCEE/D&D	Pg 1 of 3

B) Service Rating : 1250V

C) Die electric strength : 2800V

D) Contact Resistance :

Contact Size	Resistance (milli-ohms)
0	0.22
12	1.83

3. Scope of supply:

The scope of supply of the complete set shall be as per under given details:

3.1 Table-1 : For MG/DEMU/DPC Coach

Sno.	Description	QPC	Ref. Drg. No.
1.	Plug Cable Assembly & Details (6PIN)	01	SKED-602 (Sheet-1 of 5)
2.	Receptacle (Socket) Assembly & Details (6 Pin)	01	SKED-602 (Sheet-2 of 5)
3.	Dummy Receptacle Assembly & Details (6 Pin)	01	SKED-602 (Sheet-3 of 5)

3.2 Table-2 : For MG/DEMU/TC Coach

Sno.	Description	QPC	Ref. Drg. No.
1.	Plug Cable Assembly & Details (6 Pin)	02	SKED-602 (Sheet-1 of 5)
2.	Receptacle (Socket) Assembly & Details (6 Pin)	02	SKED-602 (Sheet-2 of 5)
3.	Dummy Receptacle Assembly & Details (6 Pin)	02	SKED-602 (Sheet-3 of 5)

4. Cables:

The size of interconnections (Power & control) cable shall be as per under given details :

Sno.	Circuit details	Cable Size	Spec. no.	Length
1.	Power Circuit	3x16 Sqmm (Power Circuit)	EDTS132, Rev-C, AM-3, DS-2.	2500mm
2.	Control Circuit	1x1.5 Sqmm, 4-Core Shielded cable (Control Circuit)	EDTS132, Rev-C, AM-3, DS-4	2500mm

5. General :

- The unit shall be compatible to panel cut out as per drg. no. SKED-602 (Sheet-4 of 5)
- The Layout of plug assembly (including e-beam cables & Polyamide flexible conduit of suitable size) & mounting arrangement of Receptacle Assembly & Plug Cable Assembly on end wall shall generally conform to the drawing no. SKED-602 (Sheet-5 of 5).

EDML120	0	01.12.09					
Doc. No.	Rev	Date	SE/CAD	SSE/CAD	SEE/D	DYCEE/D&D	Pg 2 of 3

6. Tests after commissioning of the coach at RCF:

Firm shall be fully responsible for complete coach wiring & connections i.e. laying of cables in conduits, crimping at ends, clamping of polyamide flexible conduits in roof area & end wall etc. and others miscellaneous work (i.e. of **Stage-III**) to improve the coach wiring quality. Firm shall hand over the coach after testing as per under given details and complete in all respect.

S. No	Tests	Type Test	Routine Test	Acceptance Test	Clause of IS:8623 (P-I)-93
1.	Verification of insulation resistance	YES	YES	YES	8.3.4
2.	Checking of electrical continuity of complete rake.	YES	YES	YES	8.3.3
3.	Verification of die electric properties	YES	YES	YES	8.2.2

7. Commissioning:

The manufacturer/supplier shall quote separately for supply, commissioning & testing of the complete unit as under:

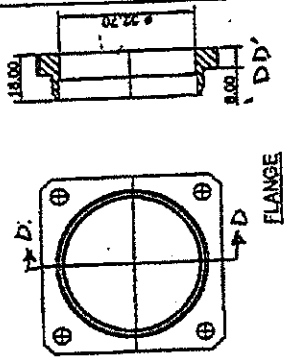
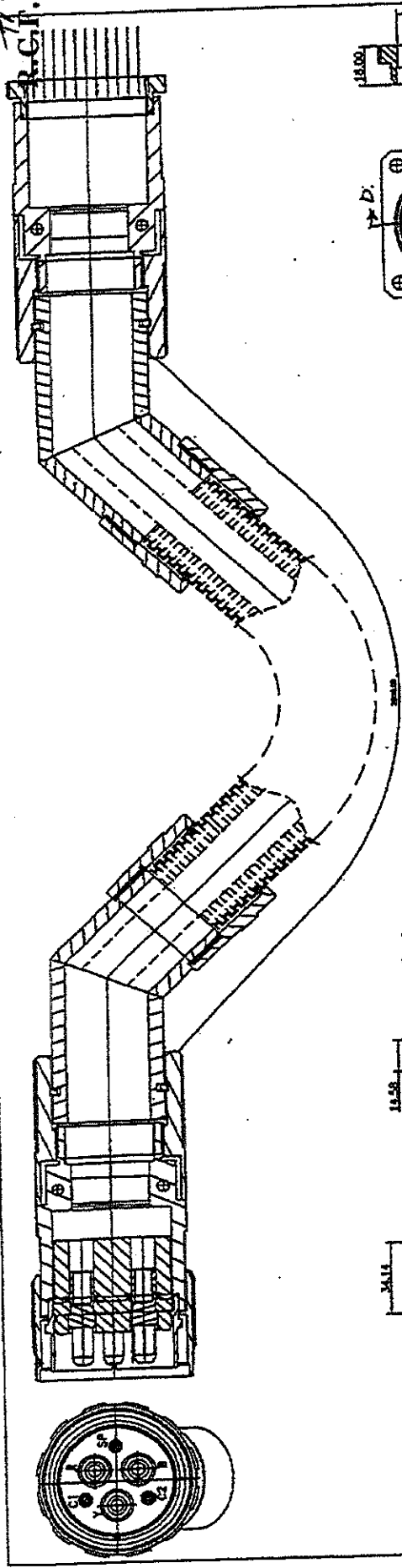
- Budgetary quote of the complete set as per scope of supply mentioned in Table-1 & 2 w/o e-beam Cables, Polyamide flexible conduits & other accessories etc. if any, and Commissioning & testing of the complete unit also.
- Budgetary quote of the complete set scope of supply as per Cl.3.1 (Table-1) & Cl.3.2 (Table-2) for MG/DEMU/DPC & TC with supply, commissioning & testing in the coach at RCF (**including e-Beam cables (Jumper only) & Polyamide flexible conduit of suitable size**). However the inside coach cables (Power & Control) will be in RCF Scope of supply.

10. Marking:

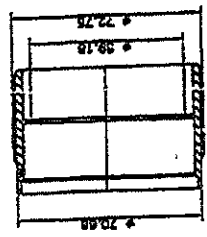
Marking ferrules shall be of computer generated type for easy identification of the cables with the help of shrinking sleeves (self extinguishing) of suitable size horizontally printed cable markers of 'TYCO' or RCF approved makes only.

EDML120	0	01.12.09					
Doc. No.	Rev	Date	SE/CAD	SSE/CAD	SEE/D	DYCEE/D&D	Pg 3 of 3

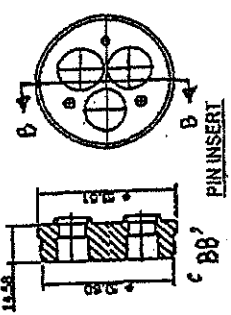
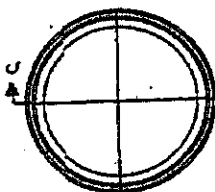
15



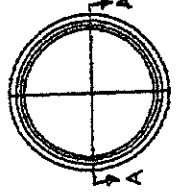
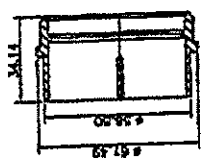
FLANGE



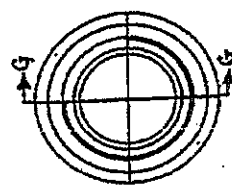
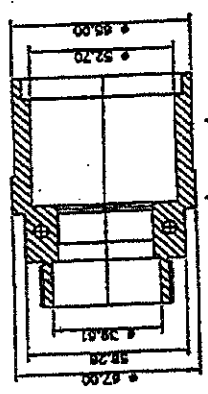
COUPLING RING



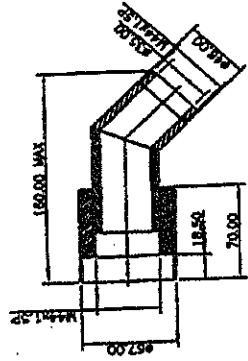
PIN INSERT



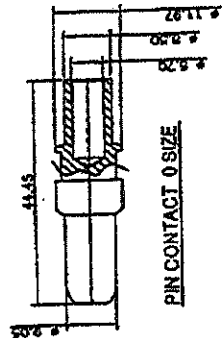
PLUG SHELL (SECTION-AA)



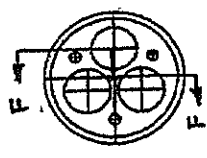
ADAPTER



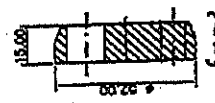
45° Adapter As.



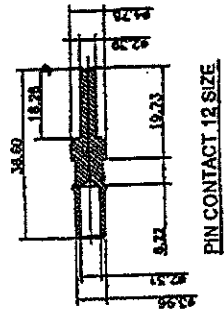
PIN CONTACT 0 SIZE



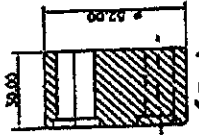
GROMMET



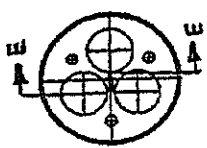
'FF'



PIN CONTACT 12 SIZE



'EE'



CABLE GUIDE

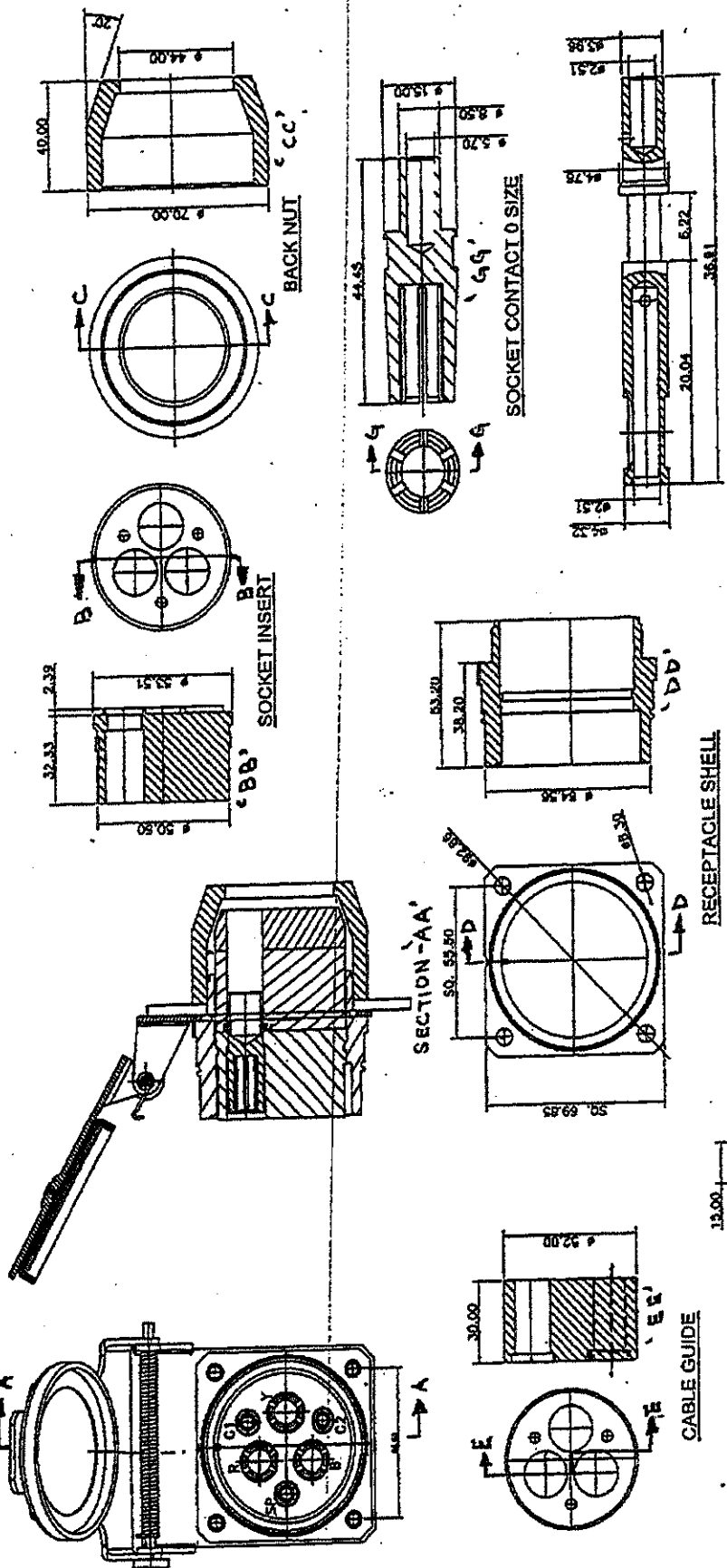
**PLUG CABLE ASSEMBLY
(FOR REVERSE BAYONET
6-PIN CONNECTOR)**

SKED-602 (SHEET-1 OF 5)

Handwritten signature and initials

#14
R.C.F.

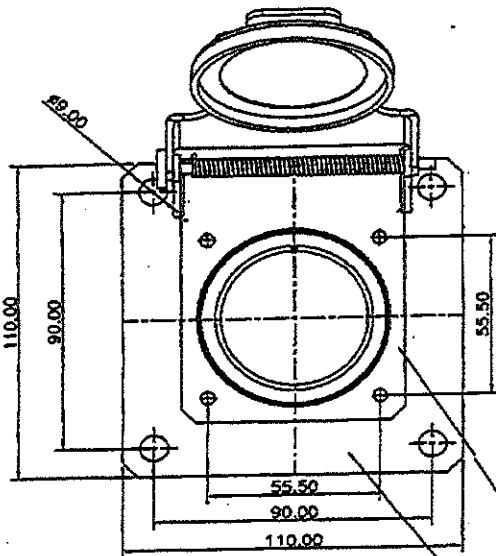
CONTACT SIZE	NO OF PIN	RATED CURRENT	CONTACT RESISTANCE	SERVICE RATING	SELECTOR STRENGTH
D	3	.50A	0.22 mΩ/cm ²	D	2000V
12	3	1.5A	1.83 mΩ/cm ²	D	2500V



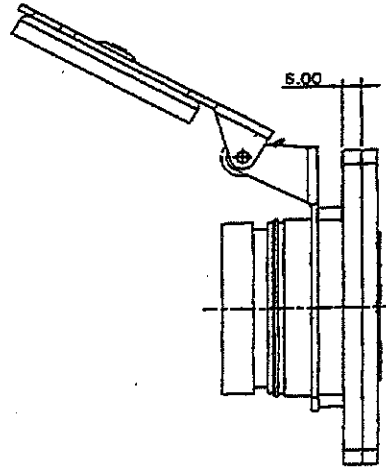
6-PIN RECEPTACLE ASSEMBLY (FOR REVERSE BAYONET CONNECTOR)

SKED-602 (SHEET-2 OF 5)

Handwritten signature and initials



DUMMY RECEPTACLE SHELL
MOUNTING PLATE

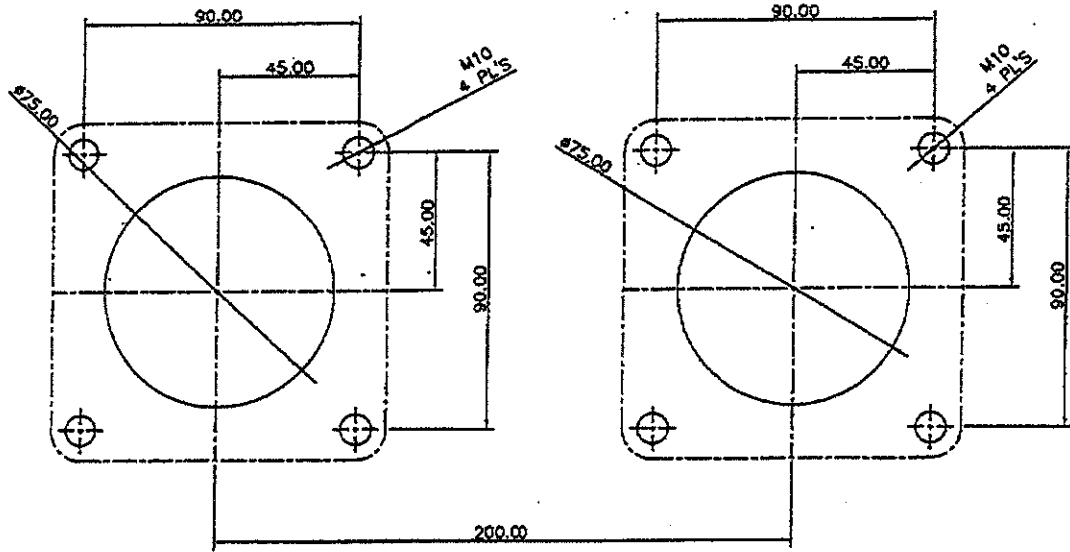


DUMMY RECEPTACLE SHELL

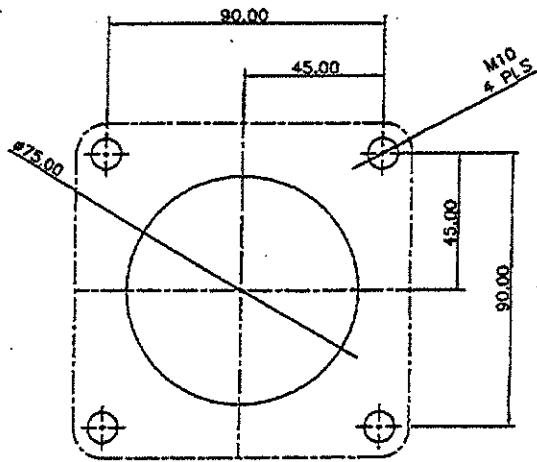
Handwritten signatures and initials.

**DUMMY RECEPTACLE SHELL ASSLY.
(FOR REVERSE BAYONET 6-PIN
CONNECTOR)**

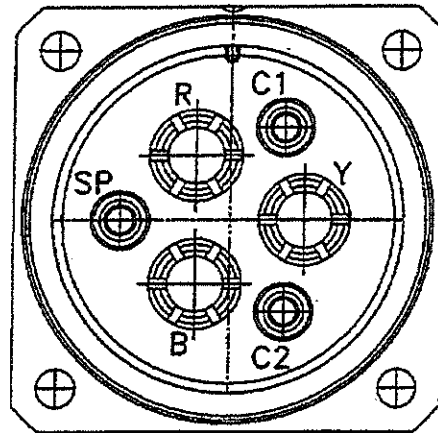
SKED-602 (SHEET 3 OF 5)



RECOMMENDED PANEL CUT OUT
FOR PLUG OUT & DIMMY RECEPTACLE



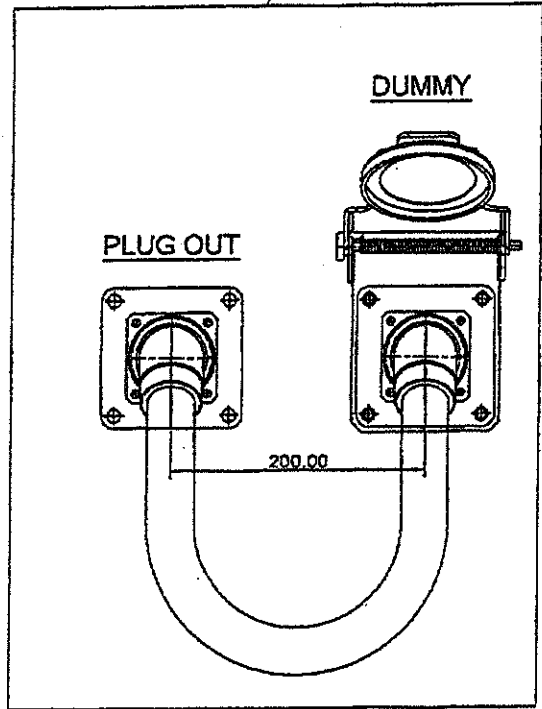
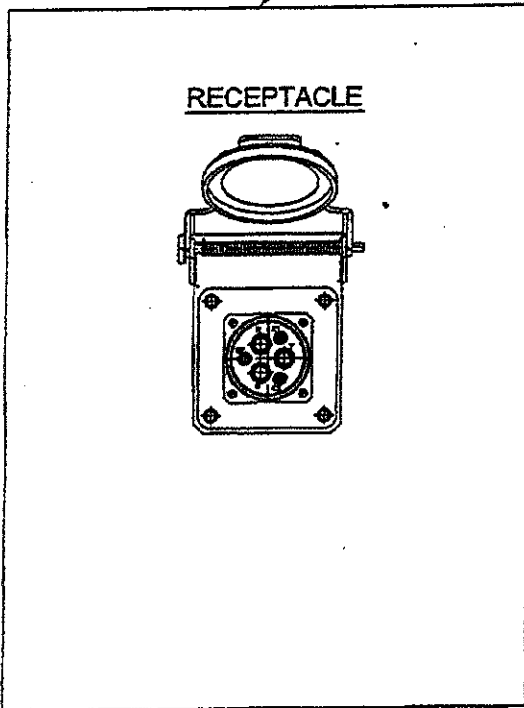
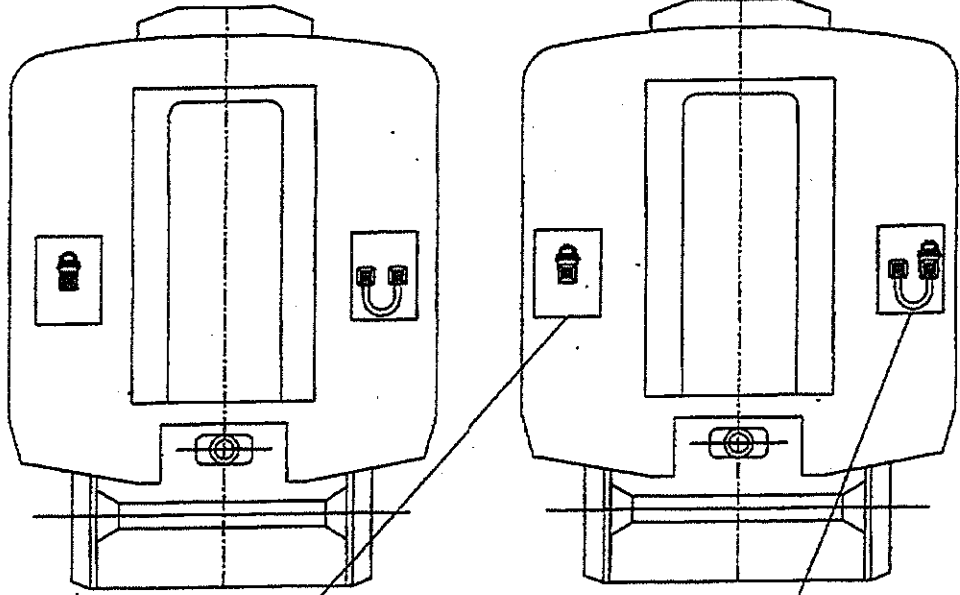
RECOMMENDED PANEL CUT OUT
FOR LIVE RECEPTACLE



**PANEL CUT OUT DETAILS FOR
REVERSE BAYONET 6-PIN
CONNECTOR**

SKED-602 (SHEET-4 OF 5)

Handwritten signatures and initials: [Signature], [Initials], [Signature]



Handwritten signatures and initials: [Signature] [Initials] [Signature]

LAYOUT OF 6-PIN PLUG & SOCKET ON ENDWALL OF MG/DEMU/DPC & TC COACHES

SKED-602 (SHEET 5 OF 5)