

Set of Cage Clamp Terminals for Hybrid 3-Tier Sleeper cum Pantry coach

This document pertains to set of cage clamp terminals required for roof wiring of Hybrid 3-Tier Sleeper cum Pantry coach. Set of cage clamp terminals are to be supplied in complete coach set as tabulated below.

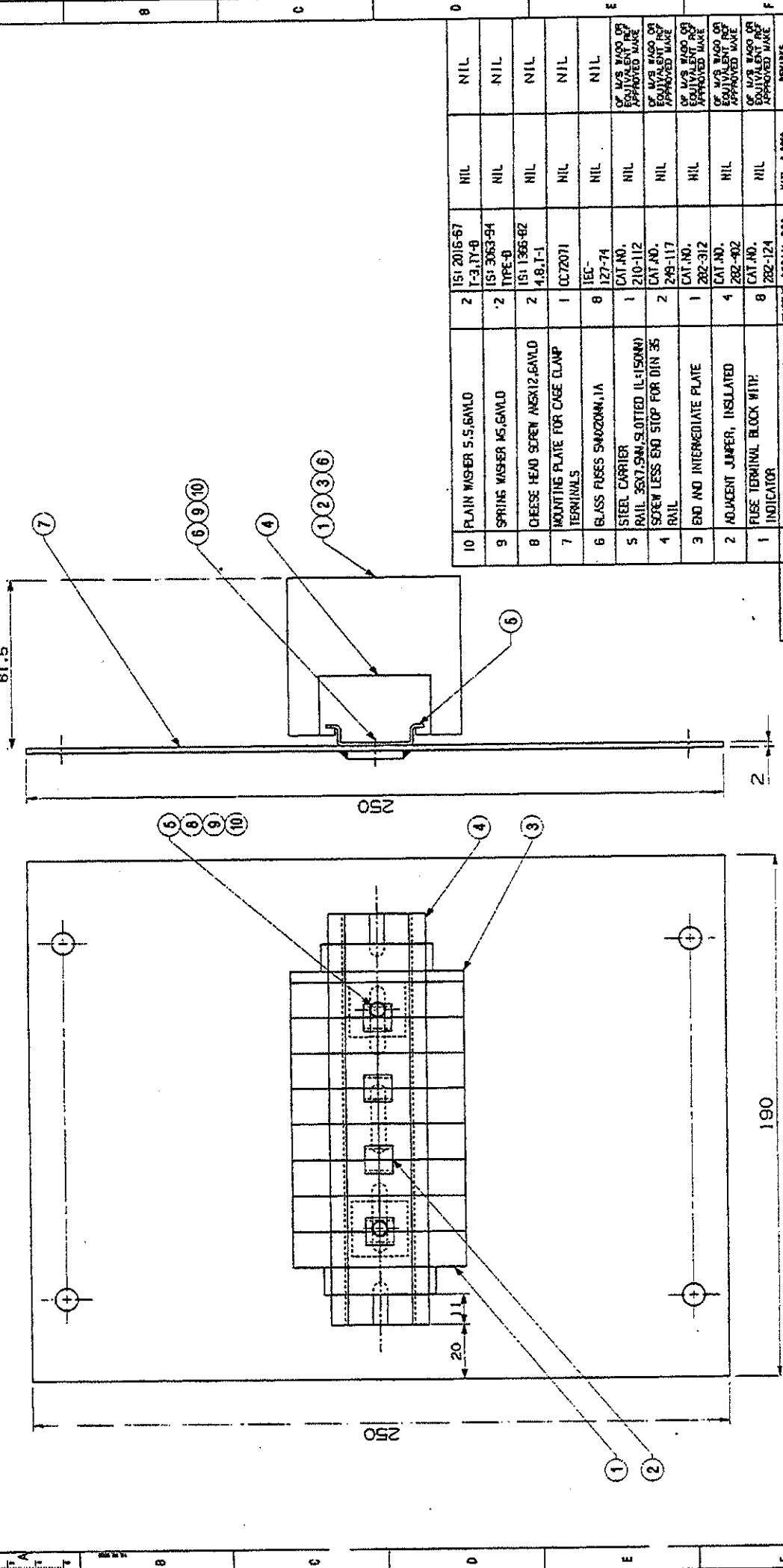
Item No.	Description	Qty/coach set
1.	Set of Cage Clamp Terminals for Compartment as per drawing no. CC72069, alt. 'nil'	20
2.	Set of Cage Clamp Terminals for Doorway as per drawing no. CC72070, alt. 'nil'	4

N.B.:

1. Firm supplying first time shall get one prototype sample validated on one coach before commencing bulk supplies.
2. Set of cage clamp terminals shall be supplied in assembled and in ready to fit condition as per respective drawing.

EDML-117	0	08 Oct 2009	<i>[Signature]</i>	<i>[Signature]</i>	<i>[Signature]</i>	1 of 1
Document no.	Rev.	Date	SE/CAD	SEE/D	DY. CEE/D&D	Date

13	12	11	10	9	8	7	6	5	4	3	2	1
ALTERATIONS												
AUTHORITY												
NIL												
3												
ZONE												
NIL												
M.T. NO.												
NIL												
M.T. DATE												
NIL												
A												



ITEM NO	DESCRIPTION	QTY	REMARKS
10	PLAIN WASHER 5.5, 6AVLD	2	IS: 2016-67 T-3, T-8
9	SPRING WASHER 4.5, 6AVLD	2	IS: 3063-94 TYPE-8
8	CHEESE HEAD SCREW 4Mx12, 6AVLD	2	IS: 1366-82 4.8, T-1
7	MOUNTING PLATE FOR CAGE CLAMP TERMINALS	1	CG72071
6	GLASS FUSES 5Mx20MM, 1A	8	IEC-127-74
5	STEEL CARRIER RAIL 35X7.9MM, SLOTTED (L=150MM)	1	CAT. NO. 210-112
4	SCREW LESS END STOP FOR DIN 35 RAIL	2	CAT. NO. 249-117
3	END AND INTERMEDIATE PLATE	1	CAT. NO. 282-312
2	ADJUNCT JUMPER, INSULATED	4	CAT. NO. 282-902
1	FUSE TERMINAL BLOCK WITH INDICATOR	8	CAT. NO. 282-124

WELD LENGTH	ELECTRICAL		
NIL	SUPERSEDES: NIL		
GROUP	FILE		
NIL	Z1\mkkg_pcl7\cc72089.dwg		
WEIGHT	SCALE		
NIL	1:1		
S. AREA	SCALE		
NIL	1:1		
LENGTH / 30-30	SCALE		
NIL	1:1		
WIDTH / 30-30	SCALE		
NIL	1:1		
HEIGHT	SCALE		
NIL	1:1		

SET OF CAGE CLAMP TERMINALS FOR COMPARTMENT FOR HYBRID NON-AC COACHES

INDIAN RAILWAYS STANDARD

RAIL COACH FACTORY, KARURTHALA.

PL NO. NIL

DRG. NO. CC72069

DATE OF FIRST ISSUE 18/08/2009

DATE OF SECOND ISSUE 1/11

BY: [Signature]

SCALE: 1:1

NOTE: -

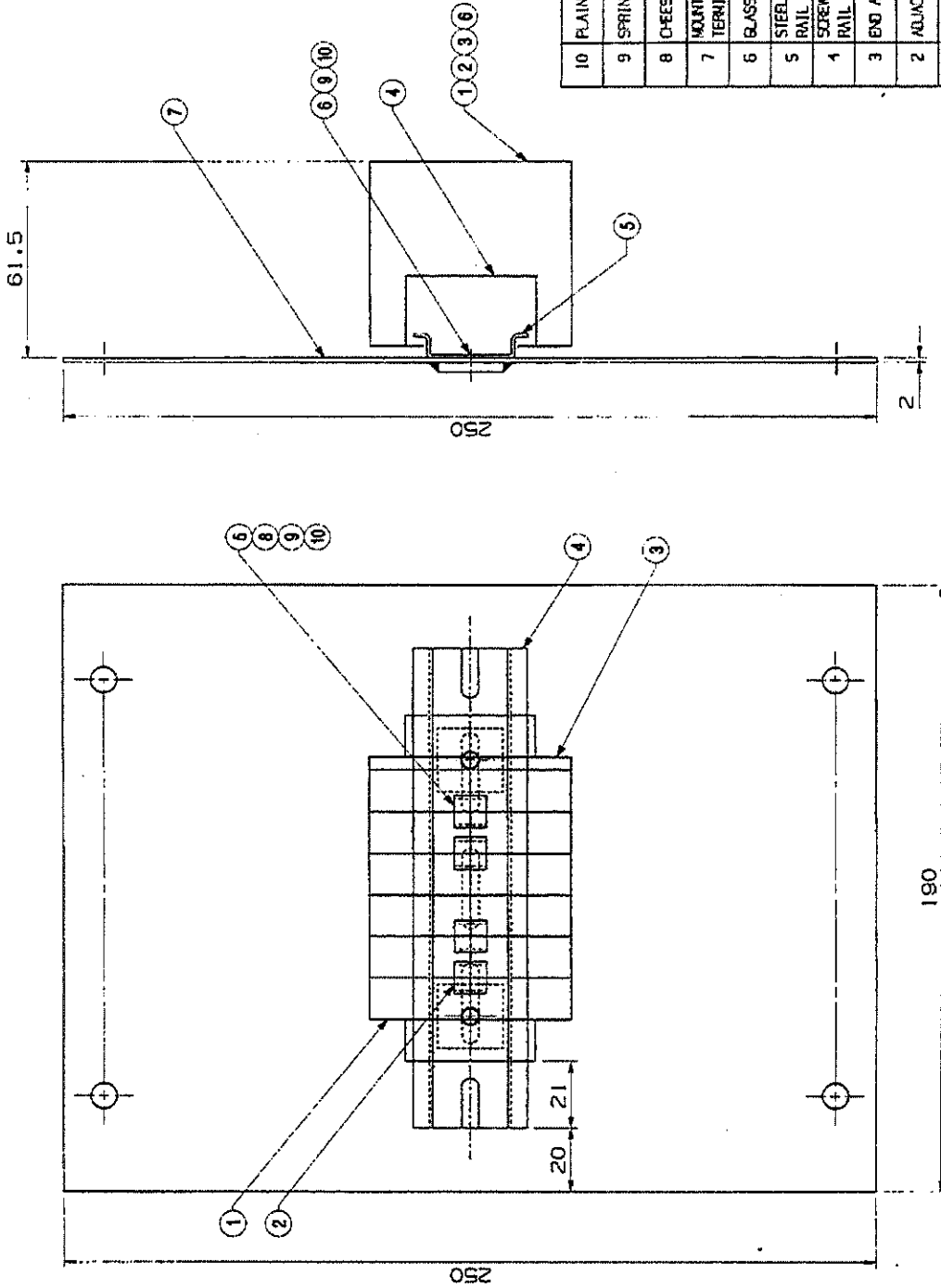
1. ALL DIMENSIONS IN MM.

2. DETAIL DRGS STARTING WITH "L1" ARE INTERNAL REFERENCE LISTS ONLY AND ARE NOT FOR ISSUE

ANY MANUAL ALTERATION SHALL AUTOMATICALLY RENDER THIS DRAWING INVALID.

FOR UNTOLERANCED DIMENSIONS REFER M000008

ALT. NO.	ALT. DATE	ZONE	ALTERATIONS	AUTHOR/DATE
NIL	NIL	NIL	NIL	NIL



ITEM NO.	DESCRIPTION	QTY	REF.	REMARKS
10	PLAIN WASHER S.S.SA10	2	IS: 2016-67	NIL
9	SPRING WASHER MS.SA10	2	T-3, IT-B IS: 3063-94	NIL
8	CHEESE HEAD SCREW MSX12.SA10	2	TYPE-B IS: 1366-82	NIL
7	MOUNTING PLATE FOR CAGE CLAMP TERMINALS	1	4.B.T-1	NIL
6	BASS FUSES SMOXOMM.1A	6	IET- I27-74	NIL
5	STEEL CARRIER RAIL 35X7.5MM/SLOTTED (L=150MM)	1	CAT.NO. 210-112	NIL
4	SCREW LESS END STOP FOR DIN 36	2	CAT.NO. 249-117	NIL
3	END AND INTERMEDIATE PLATE	1	CAT.NO. 282-312	NIL
2	ADJACENT JUMPER, INSULATED	4	CAT.NO. 282-402	NIL
1	FUSE TERMINAL BLOCK WITH INDICATOR	6	CAT.NO. 282-124	NIL

WELD LENGTH	ITEM	DESCRIPTION & DIMENSIONS	QTY	DETAIL	DRG	REF.	REMARKS
NIL	N	ELECTRICAL					
WEIGHT	KG						
NIL							
AREA	CM ²						
NIL							
LENGTH	M						
NIL							
HEIGHT	M						
NIL							

FILE Z:\mkto-dc17\cc72070.dwg
SUPERVISOR: NIL

SET OF CAGE CLAMP TERMINALS FOR DOORWAY FOR HYBRID NON-AC COACHES
RAIL COACH FACTORY, KAPURTHALA

INDIAN RAILWAYS STANDARD
PL. NO. NIL
DRG. NO. CC72070

DATE OF FIRST ISSUE 18/08/2009
DATE OF SECOND ISSUE 09/08/2010

NOTE: 1. ALL DIMENSIONS IN MM.
DETAIL DRGS STARTING WITH "LI" ARE INTERNAL REFERENCE LISTS ONLY AND ARE NOT FOR ISSUE
ANY MANUAL ALTERATION SHALL AUTOMATICALLY RENDER THIS DRAWING INVALID.
UNTOLOGERED DIMENSIONS REFER MDG0006