

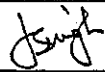

# RAIL COACH FACTORY, KAPURTHALA

Document no.EDML073

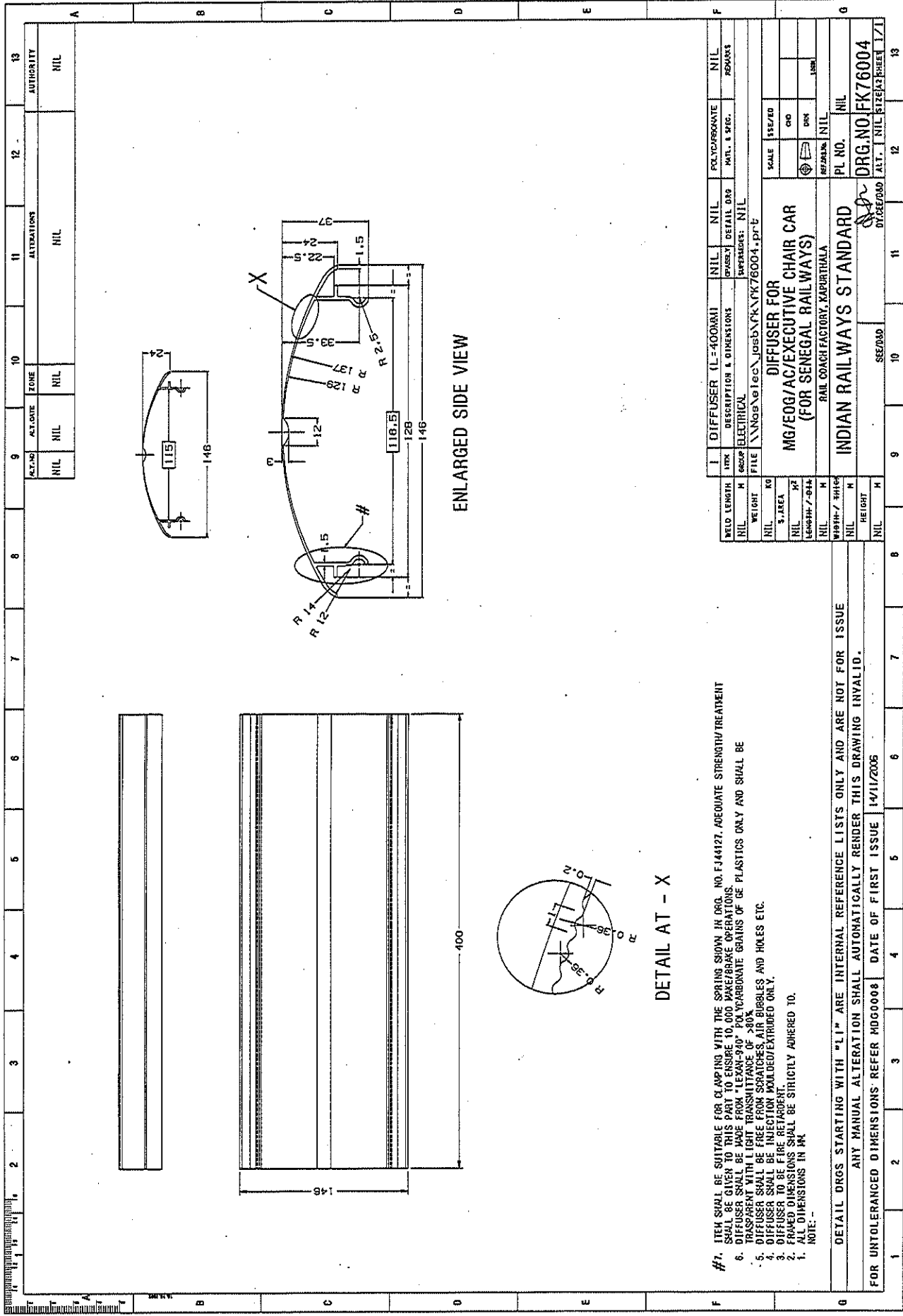
1. Firm shall supply of Diffusers for MG/EOG /AC/Executive Chair Car for Senegal Railways with dimension and quantity as below:-

Item no.	Description	Drawing no.	Qty.
1.	Diffuser (L=400MM) with perforation	FK76003	6
2.	Diffuser (L=400MM) without perforation	FK76004	6
3.	Diffuser (L=416.5MM) without perforation	FK76005	1
4.	Diffuser (L=555.5MM) without perforation	FK76006	1
5.	Diffuser (L=620MM) without perforation	FK76007	14

2. The above dimensions are tentative actual length shall be cut as per prototype approval on one coach .however,overall length of complete set shall remain same.
3. The holes for ventilation should be suitably formed/machined to avoid any bad look.
4. The location of diffuser in coach shall be as per drawing no.FK76002.The complete set should exactly fit as per this for which validation shall be done on one coach before bulk supply.

EDML073	Nil	11.11.2006			1 of 1
Document no.	Rev.	Date	SSE/CAD-III	DY.CEE/D&D	Sheet

1	2	3	4	5	6	7	8	9	10	11	12	13																																																								
<table border="1"> <tr> <td>ALT. NO.</td><td>ALT. DATE</td><td>ZONE</td><td colspan="6">ALTERATIONS</td><td>AUTHORITY</td> </tr> <tr> <td>NIL</td><td>NIL</td><td>NIL</td><td colspan="6">NIL</td><td>NIL</td> </tr> </table>									ALT. NO.	ALT. DATE	ZONE	ALTERATIONS						AUTHORITY	NIL	NIL	NIL	NIL						NIL										<table border="1"> <tr> <td>ITEM NO.</td><td>DESCRIPTION &amp; DIMENSIONS</td><td>NIL</td><td>NIL</td><td>POLYCARBONATE</td><td>NIL</td> </tr> <tr> <td>GROUP</td><td>ELECTRICAL</td><td>(P/ISSUE)</td><td>DETAILS</td><td>MAT. &amp; SPEC.</td><td>REMARKS</td> </tr> <tr> <td>FILE</td><td>\\nos\alec\josb\fk76003.prt</td><td>(SHEET)</td><td>NIL</td><td></td><td></td> </tr> </table>			ITEM NO.	DESCRIPTION & DIMENSIONS	NIL	NIL	POLYCARBONATE	NIL	GROUP	ELECTRICAL	(P/ISSUE)	DETAILS	MAT. & SPEC.	REMARKS	FILE	\\nos\alec\josb\fk76003.prt	(SHEET)	NIL												
ALT. NO.	ALT. DATE	ZONE	ALTERATIONS						AUTHORITY																																																											
NIL	NIL	NIL	NIL						NIL																																																											
ITEM NO.	DESCRIPTION & DIMENSIONS	NIL	NIL	POLYCARBONATE	NIL																																																															
GROUP	ELECTRICAL	(P/ISSUE)	DETAILS	MAT. & SPEC.	REMARKS																																																															
FILE	\\nos\alec\josb\fk76003.prt	(SHEET)	NIL																																																																	
									<table border="1"> <tr> <td>WELD LENGTH</td><td>NIL</td><td>NIL</td><td>NIL</td><td>NIL</td><td>NIL</td> </tr> <tr> <td>WEIGHT</td><td>NIL</td><td>NIL</td><td>NIL</td><td>NIL</td><td>NIL</td> </tr> <tr> <td>S. AREA</td><td>NIL</td><td>NIL</td><td>NIL</td><td>NIL</td><td>NIL</td> </tr> <tr> <td>LENGTH / DIA</td><td>NIL</td><td>NIL</td><td>NIL</td><td>NIL</td><td>NIL</td> </tr> <tr> <td>WHIPPER / FINGER</td><td>NIL</td><td>NIL</td><td>NIL</td><td>NIL</td><td>NIL</td> </tr> <tr> <td>HEIGHT</td><td>NIL</td><td>NIL</td><td>NIL</td><td>NIL</td><td>NIL</td> </tr> </table>			WELD LENGTH	NIL	NIL	NIL	NIL	NIL	WEIGHT	NIL	NIL	NIL	NIL	NIL	S. AREA	NIL	NIL	NIL	NIL	NIL	LENGTH / DIA	NIL	NIL	NIL	NIL	NIL	WHIPPER / FINGER	NIL	NIL	NIL	NIL	NIL	HEIGHT	NIL	NIL	NIL	NIL	NIL	<table border="1"> <tr> <td>SCALE</td><td>1:1</td><td>1:2</td><td>1:5</td><td>1:10</td><td>1:20</td> </tr> <tr> <td>PL NO.</td><td colspan="5">NIL</td> </tr> <tr> <td>DRG. NO.</td><td colspan="5">FK76003</td> </tr> </table>			SCALE	1:1	1:2	1:5	1:10	1:20	PL NO.	NIL					DRG. NO.	FK76003				
WELD LENGTH	NIL	NIL	NIL	NIL	NIL																																																															
WEIGHT	NIL	NIL	NIL	NIL	NIL																																																															
S. AREA	NIL	NIL	NIL	NIL	NIL																																																															
LENGTH / DIA	NIL	NIL	NIL	NIL	NIL																																																															
WHIPPER / FINGER	NIL	NIL	NIL	NIL	NIL																																																															
HEIGHT	NIL	NIL	NIL	NIL	NIL																																																															
SCALE	1:1	1:2	1:5	1:10	1:20																																																															
PL NO.	NIL																																																																			
DRG. NO.	FK76003																																																																			
<p><b>#1.</b> ITEM SHALL BE SUITABLE FOR CLAMPING WITH THE SPRING SHOWN IN DRG. NO. F144R27. ADEQUATE STRENGTH/TREATMENT SHALL BE GIVEN TO THIS PART TO ENSURE 10,000 MAKE/BRAKE OPERATIONS.</p> <p><b>#2.</b> DIFFUSER SHALL BE MADE FROM "LEXAN-940" POLYCARBONATE GRAINS OF GE PLASTICS ONLY AND SHALL BE TRANSPARENT WITH LIGHT TRANSMITTANCE OF &gt;80%.</p> <p><b>#3.</b> DIFFUSER SHALL BE FREE FROM SCRATCHES, AIR BUBBLES AND HOLES ETC.</p> <p><b>#4.</b> DIFFUSER SHALL BE INJECTION MOULDED/EXTRUDED ONLY.</p> <p><b>#5.</b> DIFFUSER TO BE FIRE RETARDANT.</p> <p><b>#6.</b> ALL DIMENSIONS SHALL BE STRICTLY ADHERED TO.</p> <p><b>NOTE:-</b></p>									<table border="1"> <tr> <td>PL NO.</td><td colspan="5">NIL</td> </tr> <tr> <td>DRG. NO.</td><td colspan="5">FK76003</td> </tr> <tr> <td>DATE OF FIRST ISSUE</td><td colspan="5">14/11/2005</td> </tr> </table>			PL NO.	NIL					DRG. NO.	FK76003					DATE OF FIRST ISSUE	14/11/2005					<table border="1"> <tr> <td>PL NO.</td><td colspan="5">NIL</td> </tr> <tr> <td>DRG. NO.</td><td colspan="5">FK76003</td> </tr> <tr> <td>DATE OF FIRST ISSUE</td><td colspan="5">14/11/2005</td> </tr> </table>			PL NO.	NIL					DRG. NO.	FK76003					DATE OF FIRST ISSUE	14/11/2005																						
PL NO.	NIL																																																																			
DRG. NO.	FK76003																																																																			
DATE OF FIRST ISSUE	14/11/2005																																																																			
PL NO.	NIL																																																																			
DRG. NO.	FK76003																																																																			
DATE OF FIRST ISSUE	14/11/2005																																																																			
<p>DETAIL DROS STARTING WITH "LI" ARE INTERNAL REFERENCE LISTS ONLY AND ARE NOT FOR ISSUE</p> <p>ANY MANUAL ALTERATION SHALL AUTOMATICALLY RENDER THIS DRAWING INVALID.</p>									<table border="1"> <tr> <td>PL NO.</td><td colspan="5">NIL</td> </tr> <tr> <td>DRG. NO.</td><td colspan="5">FK76003</td> </tr> <tr> <td>DATE OF FIRST ISSUE</td><td colspan="5">14/11/2005</td> </tr> </table>			PL NO.	NIL					DRG. NO.	FK76003					DATE OF FIRST ISSUE	14/11/2005					<table border="1"> <tr> <td>PL NO.</td><td colspan="5">NIL</td> </tr> <tr> <td>DRG. NO.</td><td colspan="5">FK76003</td> </tr> <tr> <td>DATE OF FIRST ISSUE</td><td colspan="5">14/11/2005</td> </tr> </table>			PL NO.	NIL					DRG. NO.	FK76003					DATE OF FIRST ISSUE	14/11/2005																						
PL NO.	NIL																																																																			
DRG. NO.	FK76003																																																																			
DATE OF FIRST ISSUE	14/11/2005																																																																			
PL NO.	NIL																																																																			
DRG. NO.	FK76003																																																																			
DATE OF FIRST ISSUE	14/11/2005																																																																			
<p>INDIAN RAILWAYS STANDARD</p> <p>RAIL COACH FACTORY, KAPURTHALA</p>									<table border="1"> <tr> <td>PL NO.</td><td colspan="5">NIL</td> </tr> <tr> <td>DRG. NO.</td><td colspan="5">FK76003</td> </tr> <tr> <td>DATE OF FIRST ISSUE</td><td colspan="5">14/11/2005</td> </tr> </table>			PL NO.	NIL					DRG. NO.	FK76003					DATE OF FIRST ISSUE	14/11/2005					<table border="1"> <tr> <td>PL NO.</td><td colspan="5">NIL</td> </tr> <tr> <td>DRG. NO.</td><td colspan="5">FK76003</td> </tr> <tr> <td>DATE OF FIRST ISSUE</td><td colspan="5">14/11/2005</td> </tr> </table>			PL NO.	NIL					DRG. NO.	FK76003					DATE OF FIRST ISSUE	14/11/2005																						
PL NO.	NIL																																																																			
DRG. NO.	FK76003																																																																			
DATE OF FIRST ISSUE	14/11/2005																																																																			
PL NO.	NIL																																																																			
DRG. NO.	FK76003																																																																			
DATE OF FIRST ISSUE	14/11/2005																																																																			



ENLARGED SIDE VIEW

DETAIL AT - X

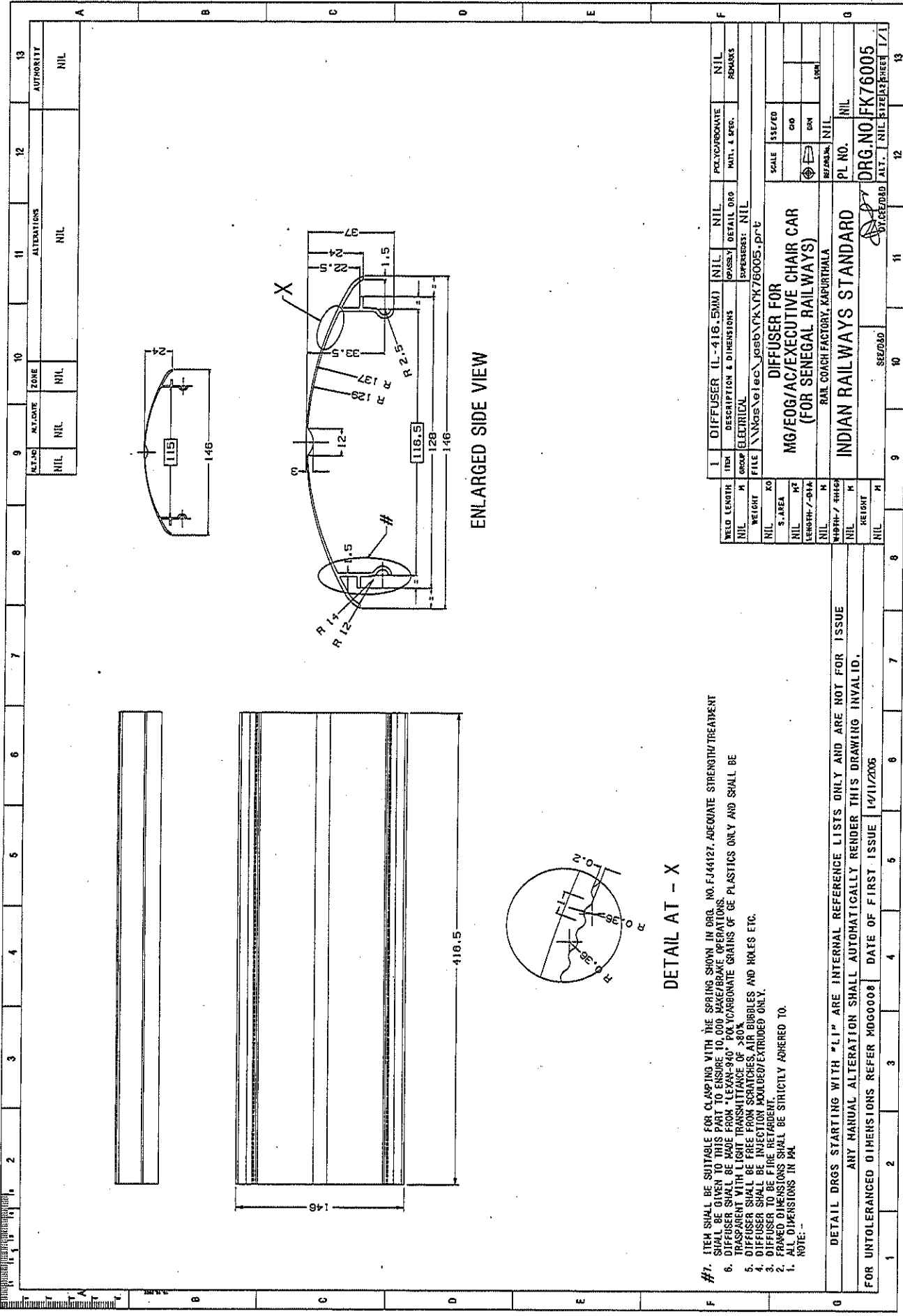
#7. ITEM SHALL BE SUITABLE FOR CHAIRING WITH THE SPRING SIGNAL IN DRG. NO. FJ44127. ADEQUATE STRENGTH TREATMENT SHALL BE GIVEN TO THIS PART TO ENSURE TO 100% MAKE/BRAKE OPERATIONS.  
 6. DIFFUSER SHALL BE MADE FROM "LEMAN-900" POLYCARBONATE GRAINS OF GE PLASTICS ONLY AND SHALL BE TRANSPARENT WITH LIGHT TRANSMITTANCE OF >80%.  
 5. DIFFUSER SHALL BE FREE FROM SCRATCHES, AIR BUBBLES AND HOLES ETC.  
 4. DIFFUSER SHALL BE INJECTION MOLDED/EXTRUDED ONLY.  
 3. DIFFUSER TO BE FIRE RETARDANT.  
 2. FRAMED DIMENSIONS SHALL BE STRICTLY ADHERED TO.  
 1. ALL DIMENSIONS IN MM.  
 NOTE: -

DETAIL DRGS STARTING WITH "LI" ARE INTERNAL REFERENCE LISTS ONLY AND ARE NOT FOR ISSUE  
 ANY MANUAL ALTERATION SHALL AUTOMATICALLY RENDER THIS DRAWING INVALID.

FOR UNTOLERANCED DIMENSIONS REFER MDG0008 DATE OF FIRST ISSUE 14/11/2008

ITEM NO.	1	DIFFUSER (L=400MM)	NIL	NIL	POLYCARBONATE	NIL
DESCRIPTION & DIMENSIONS	DIFFUSER FOR MG/EOG/AC/EXECUTIVE CHAIR CAR (FOR SENEGAL RAILWAYS)					
ISSUED BY	ELECTRICAL					
FILE	\\ngs\elec\joseb\fk\FK76004.prt					
SCALE	1:1					
DATE	14/11/2008					
BY	[Signature]					
CHECKED BY	[Signature]					
APPROVED BY	[Signature]					
PL. NO.	NIL					
DRG. NO.	FK76004					
REV. NO.	1/1					

13	12	11	10	9	8	7	6	5	4	3	2	1
AUTHORITY	NIL											
ALTERATIONS	NIL											
ZONE	NIL											
ALLOTTE	NIL											
AREA	NIL											



ENLARGED SIDE VIEW

DETAIL AT - X

- #7. ITEM SHALL BE SUITABLE FOR CLAMPING WITH THE SPRINGS SHOWN IN DRG. NO. FJ4127. ADEQUATE STRENGTH/TREATMENT SHALL BE GIVEN TO THIS PART TO ENSURE 10,000 WAGGON OPERATIONS.
- 6. DIFFUSER SHALL BE MADE FROM "LEXAN-940" POLYCARBONATE GRAINS OF 66 PLASTICS ONLY AND SHALL BE TRANSPARENT WITH LIGHT TRANSMITTANCE OF >80%.
- 5. DIFFUSER SHALL BE FREE FROM SCRATCHES, AIR BUBBLES AND HIKES ETC.
- 4. DIFFUSER SHALL BE INJECTION MOLDING/EXTRUDED ONLY.
- 3. DIFFUSER TO BE FIRE RETARDANT.
- 2. FRAMED DIMENSIONS SHALL BE STRICTLY ADHERED TO.
- 1. NOTE:--

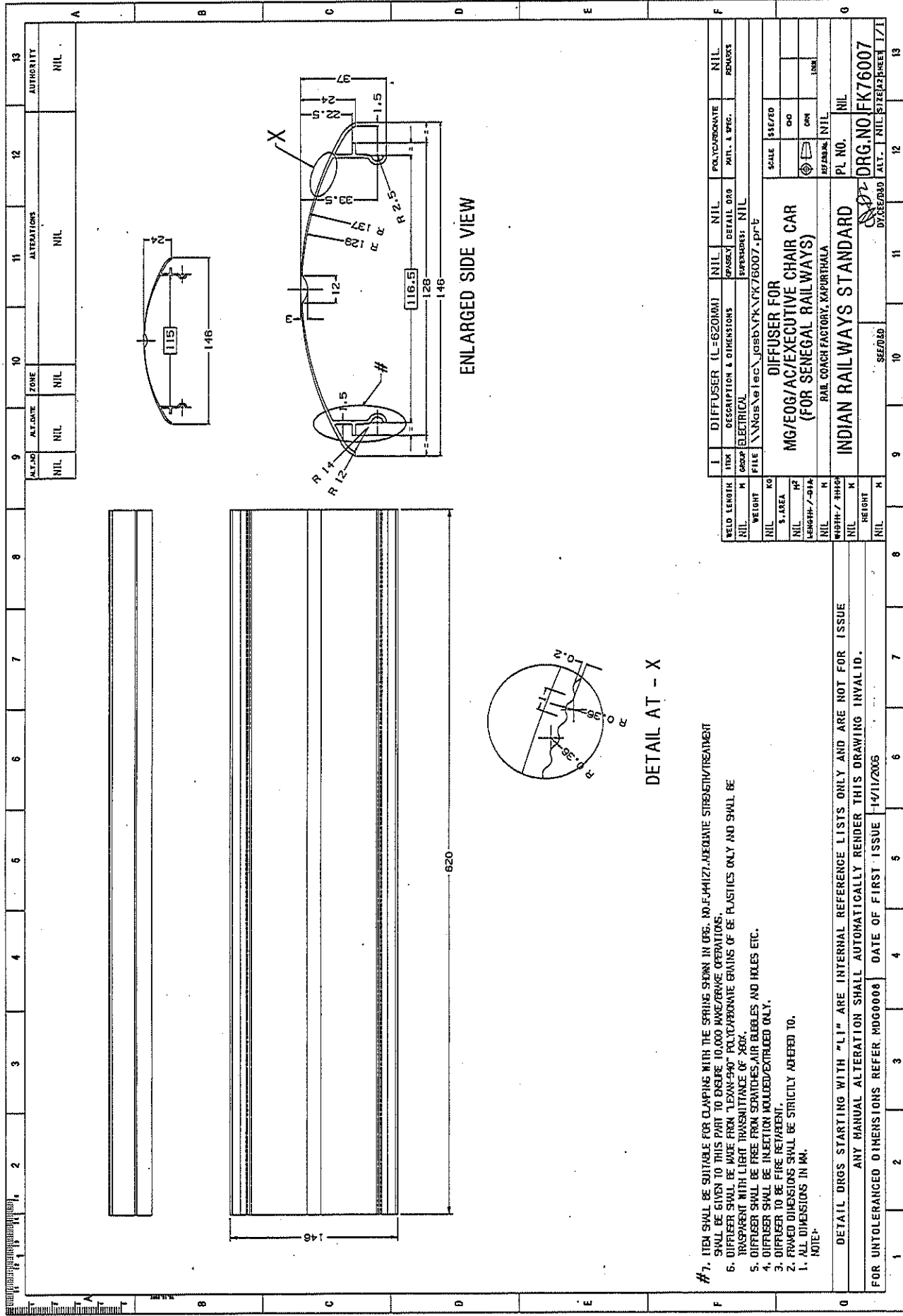
DETAIL DRGS STARTING WITH "LI" ARE INTERNAL REFERENCE LISTS ONLY AND ARE NOT FOR ISSUE  
 ANY MANUAL ALTERATION SHALL AUTOMATICALLY RENDER THIS DRAWING INVALID.

FOR UNTOLERANCED DIMENSIONS REFER M000008 DATE OF FIRST ISSUE 14/11/2006

1	DIFFUSER (L-416.5MM)	NIL	NIL	POLYCARBONATE	NIL
ITEM	DESCRIPTION & DIMENSIONS	QTY	DETAIL DRG	MATL. & SPEC.	REMARKS
GROUP	ELECTRICAL				
FILE	\\ngs\g1ec\jagb\k\k\76005.dwg				
WEIGHT	SPECIES: NIL				
SCALE	SCALE: 1:1				
NO	DIFFUSER FOR				
S. AREA	MG/EOG/AC/EXECUTIVE CHAIR CAR				
LENGTH / DIA	(FOR SENEAL RAILWAYS)				
NO	RAIL COACH FACTORY, KAPURTHALA				
NO	INDIAN RAILWAYS STANDARD				
NO	PL NO. NIL				
NO	DRG. NO. FK76005				
NO	BY: CEED/AD				
NO	ALT. NIL				
NO	SIZE: A3				
NO	SHEET: 1/1				

13	12	11	10	9	8	7	6	6	4	3	2	1
ALTERNATIONS	ZONE	DATE	BY	REASON								
NIL	NIL											
AUTHORITY												
NIL												





ENLARGED SIDE VIEW

DETAIL AT - X

- #7. ITEM SHALL BE SUITABLE FOR CLAMPING WITH THE SPRINGS SHOWN IN DRG. NO. F.44127, MEDIANE STRENGTH/TREATMENT SHALL BE GIVEN TO THIS PART TO ENSURE 10,000 HNG/DRIVE OPERATIONS.
6. DIFFUSER SHALL BE MADE FROM "TEXAN-540" POLYPROPYLENE GRAINS OF 66 PLASTICS ONLY AND SHALL BE IMPREGNATED WITH LIGHT TRANSMITTANCE OF 760K.
5. DIFFUSER SHALL BE FREE FROM SCRATCHES, AIR BUBBLES AND HOLES ETC.
4. DIFFUSER SHALL BE INJECTION MOLDED/EXTRUDED ONLY.
3. DIFFUSER TO BE FIRE RETARDANT.
2. DIMENSIONS SHALL BE STRICTLY ADHERED TO.
1. ALL DIMENSIONS IN MM.
- NOTE:-

DETAIL DRGS STARTING WITH "L1" ARE INTERNAL REFERENCE LISTS ONLY AND ARE NOT FOR ISSUE  
 ANY MANUAL ALTERATION SHALL AUTOMATICALLY RENDER THIS DRAWING INVALID.

FOR UNTOLERANCED DIMENSIONS REFER. MDS0008 DATE OF FIRST ISSUE 14/11/2005

WELD LENGTH	NIL	DESCRIPTION & DIMENSIONS	NIL	POLYPROPYLENE	NIL
WEIGHT	NIL	ELECTRICAL	SPURSE/1	DETAIL DRG	REWORKS
S. AREA	NIL	FILE	\\ngs\selec\jgsb\KFK76007.ppt	PAR. & SPEC.	
LENGTH / Ø14	NIL	DIFFUSER FOR MG/EOG/AC/EXECUTIVE CHAIR CAR (FOR SENEAL RAILWAYS)			
WORTH / HHP	NIL	RAIL COACH FACTORY, KAPURTHALA			
HEIGHT	NIL	INDIAN RAILWAYS STANDARD			
		PL. NO. NIL			
		DRG. NO. F.44127			
		SEE/D/50			
		ALT. 12			
		SHEET 1/1			

13 12 11 10 9 8 7 6 5 4 3 2 1

ALTERATIONS

ALTA. NO. ALT. DATE ZONE

NIL NIL NIL NIL

AUTHORITY

NIL