

Feeder junction box set with accessories for LHB type coaches.

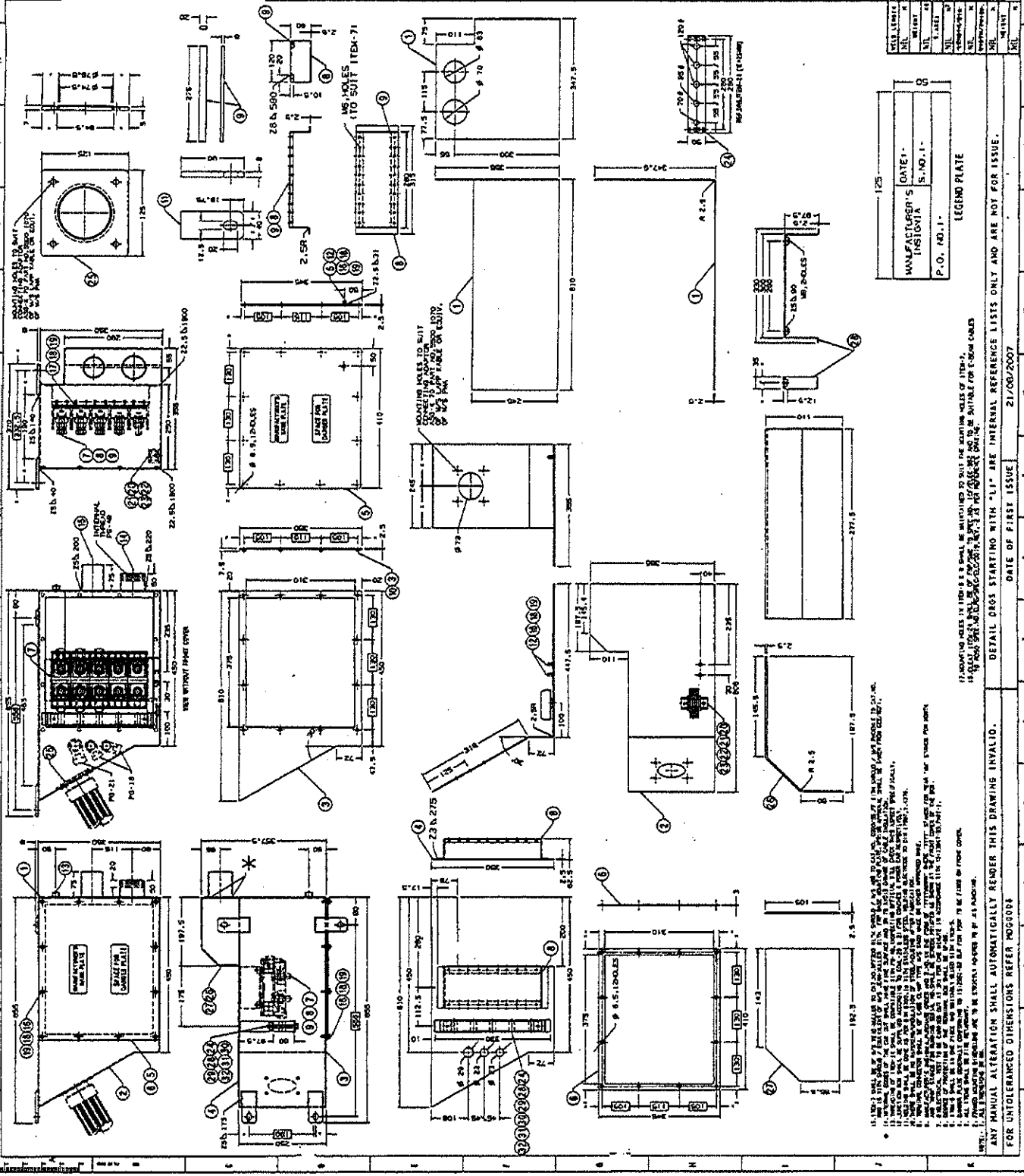
SNO	DESCRIPTION	SIZE	DRG/SPEC/CAT NO	QTY
1.	Feeder junction box-plug side	-	LW71006 Alt 'h'	2
2.	Feeder junction box-socket side	-	LW71007 Alt 'h'	2
3.	Flexible hose	ID=60MM	DIN-73411	5M
4.	Circlip	-	NORMA 60-80	8
5.*	Flexible conduit connector complete with gasket	PG48	A-2 , Item-8 #	2
6.*	Blank plug complete with gasket	PG48	A-18 , Item-8 #	2
7.*	Blank plug complete with gasket	PG16	A-18 , Item-4 #	4
8.*	Lock nut	PG16	A-10 , Item-4 #	4
9.*	Cable gland complete with sealing ,O ring of Neoprene and flat gasket	PG21	SKED-609	4
10.*	Lock nut	PG21	A-10 , Item-5 #	4
11.*	Elbow 90° complete with gasket	PG16	A-4 , Item-3 #	4
12.*	Lock nut	PG16	A-10 , Item-4 #	4
13.*	Elbow 90° complete with gasket	PG 13.5	A-4 , Item-4 #	2
14.*	Lock nut	PG 13.5	A-10 , Item-3 #	2
15.*	Flexible conduit connector complete with gasket	M20	A-5 , Item-5 #	2
16.*	Hex.Hd.Screw (Stainless steel to IS:1367-2002,P-14,A2-70)	M12X20	IS:1363-2002,P-2,T-1	4
17.	Polyamide flexible conduit	NW 17	A-1 , Item-3 #	1M
18.	Adaptor for flexible conduit	-	A-12 , Item-1 #	2
19.	Crimping socket	120 mm ²	EDTS 200, AM-1,CORR-2, (Item-20)	24
20.	Crimping socket	95 mm ²	EDTS 200, AM-1,CORR-2 (Item-19)	8
21.	Crimping socket	70 mm ²	EDTS 200, AM-1,CORR-2 (Item-7)	4
22.	Crimping socket	70 mm ²	EDTS 200, AM-1,CORR-2, (Item-18)	16
23.	Crimping socket	50 mm ²	EDTS 200, AM-1,CORR-2, (Item-9)	8
24.	Crimping socket	2.5 mm ²	EDTS 201,REV-A,AM-2, (Item-10)	4

*Items to be supplied duly fitted with junction boxes.

Items to be supplied as per spec no. RDSO/PE/SPEC/AC/-0138-2009(REV-1).

EDML-020	J	31.07.2014	<i>[Signature]</i>	<i>[Signature]</i>	<i>[Signature]</i>	1 of 1
Document No.	Rev.	Date	SSE/CAD	AEE/D	DYCEE/D&D	Sheet

ITEM NO.	DESCRIPTION	QTY	DATE	BY	REVISION	REASON
1	ITEM 7 & NOTE 15 MODIFIED.					
2	NOTE 17 ADDED AND DRAWING UPDATED ACCORDINGLY.					
3	ITEM 17 ADDED AND DRAWING UPDATED ACCORDINGLY.					
4	ITEM 17 ADDED AND DRAWING UPDATED ACCORDINGLY.					
5	ITEM 17 ADDED AND DRAWING UPDATED ACCORDINGLY.					
6	ITEM 17 ADDED AND DRAWING UPDATED ACCORDINGLY.					
7	ITEM 17 ADDED AND DRAWING UPDATED ACCORDINGLY.					
8	ITEM 17 ADDED AND DRAWING UPDATED ACCORDINGLY.					
9	ITEM 17 ADDED AND DRAWING UPDATED ACCORDINGLY.					
10	ITEM 17 ADDED AND DRAWING UPDATED ACCORDINGLY.					
11	ITEM 17 ADDED AND DRAWING UPDATED ACCORDINGLY.					
12	ITEM 17 ADDED AND DRAWING UPDATED ACCORDINGLY.					
13	ITEM 17 ADDED AND DRAWING UPDATED ACCORDINGLY.					
14	ITEM 17 ADDED AND DRAWING UPDATED ACCORDINGLY.					
15	ITEM 17 ADDED AND DRAWING UPDATED ACCORDINGLY.					
16	ITEM 17 ADDED AND DRAWING UPDATED ACCORDINGLY.					
17	ITEM 17 ADDED AND DRAWING UPDATED ACCORDINGLY.					
18	ITEM 17 ADDED AND DRAWING UPDATED ACCORDINGLY.					
19	ITEM 17 ADDED AND DRAWING UPDATED ACCORDINGLY.					
20	ITEM 17 ADDED AND DRAWING UPDATED ACCORDINGLY.					
21	ITEM 17 ADDED AND DRAWING UPDATED ACCORDINGLY.					
22	ITEM 17 ADDED AND DRAWING UPDATED ACCORDINGLY.					
23	ITEM 17 ADDED AND DRAWING UPDATED ACCORDINGLY.					
24	ITEM 17 ADDED AND DRAWING UPDATED ACCORDINGLY.					
25	ITEM 17 ADDED AND DRAWING UPDATED ACCORDINGLY.					
26	ITEM 17 ADDED AND DRAWING UPDATED ACCORDINGLY.					
27	ITEM 17 ADDED AND DRAWING UPDATED ACCORDINGLY.					
28	ITEM 17 ADDED AND DRAWING UPDATED ACCORDINGLY.					
29	ITEM 17 ADDED AND DRAWING UPDATED ACCORDINGLY.					
30	ITEM 17 ADDED AND DRAWING UPDATED ACCORDINGLY.					
31	ITEM 17 ADDED AND DRAWING UPDATED ACCORDINGLY.					
32	ITEM 17 ADDED AND DRAWING UPDATED ACCORDINGLY.					



ITEM NO.	DESCRIPTION	QTY	DATE	BY	REVISION	REASON
1	ITEM 7 & NOTE 15 MODIFIED.					
2	NOTE 17 ADDED AND DRAWING UPDATED ACCORDINGLY.					
3	ITEM 17 ADDED AND DRAWING UPDATED ACCORDINGLY.					
4	ITEM 17 ADDED AND DRAWING UPDATED ACCORDINGLY.					
5	ITEM 17 ADDED AND DRAWING UPDATED ACCORDINGLY.					
6	ITEM 17 ADDED AND DRAWING UPDATED ACCORDINGLY.					
7	ITEM 17 ADDED AND DRAWING UPDATED ACCORDINGLY.					
8	ITEM 17 ADDED AND DRAWING UPDATED ACCORDINGLY.					
9	ITEM 17 ADDED AND DRAWING UPDATED ACCORDINGLY.					
10	ITEM 17 ADDED AND DRAWING UPDATED ACCORDINGLY.					
11	ITEM 17 ADDED AND DRAWING UPDATED ACCORDINGLY.					
12	ITEM 17 ADDED AND DRAWING UPDATED ACCORDINGLY.					
13	ITEM 17 ADDED AND DRAWING UPDATED ACCORDINGLY.					
14	ITEM 17 ADDED AND DRAWING UPDATED ACCORDINGLY.					
15	ITEM 17 ADDED AND DRAWING UPDATED ACCORDINGLY.					
16	ITEM 17 ADDED AND DRAWING UPDATED ACCORDINGLY.					
17	ITEM 17 ADDED AND DRAWING UPDATED ACCORDINGLY.					
18	ITEM 17 ADDED AND DRAWING UPDATED ACCORDINGLY.					
19	ITEM 17 ADDED AND DRAWING UPDATED ACCORDINGLY.					
20	ITEM 17 ADDED AND DRAWING UPDATED ACCORDINGLY.					
21	ITEM 17 ADDED AND DRAWING UPDATED ACCORDINGLY.					
22	ITEM 17 ADDED AND DRAWING UPDATED ACCORDINGLY.					
23	ITEM 17 ADDED AND DRAWING UPDATED ACCORDINGLY.					
24	ITEM 17 ADDED AND DRAWING UPDATED ACCORDINGLY.					
25	ITEM 17 ADDED AND DRAWING UPDATED ACCORDINGLY.					
26	ITEM 17 ADDED AND DRAWING UPDATED ACCORDINGLY.					
27	ITEM 17 ADDED AND DRAWING UPDATED ACCORDINGLY.					
28	ITEM 17 ADDED AND DRAWING UPDATED ACCORDINGLY.					
29	ITEM 17 ADDED AND DRAWING UPDATED ACCORDINGLY.					
30	ITEM 17 ADDED AND DRAWING UPDATED ACCORDINGLY.					
31	ITEM 17 ADDED AND DRAWING UPDATED ACCORDINGLY.					
32	ITEM 17 ADDED AND DRAWING UPDATED ACCORDINGLY.					

1. ITEM-7 & NOTE-18 MODIFIED.
 2. NOTE-18 ADDED AND DRAWING UPDATED ACCORDINGLY.

ALL DIMENSIONS ARE IN MILLIMETERS UNLESS OTHERWISE SPECIFIED.

DATE: 10/03/2001

PROJECT: FEEDER JUNCTION BOX

REV: 1

SCALE: 1:1

DESIGNER: [Signature]

CHECKED: [Signature]

APPROVED: [Signature]

DWG. NO. 3355/019

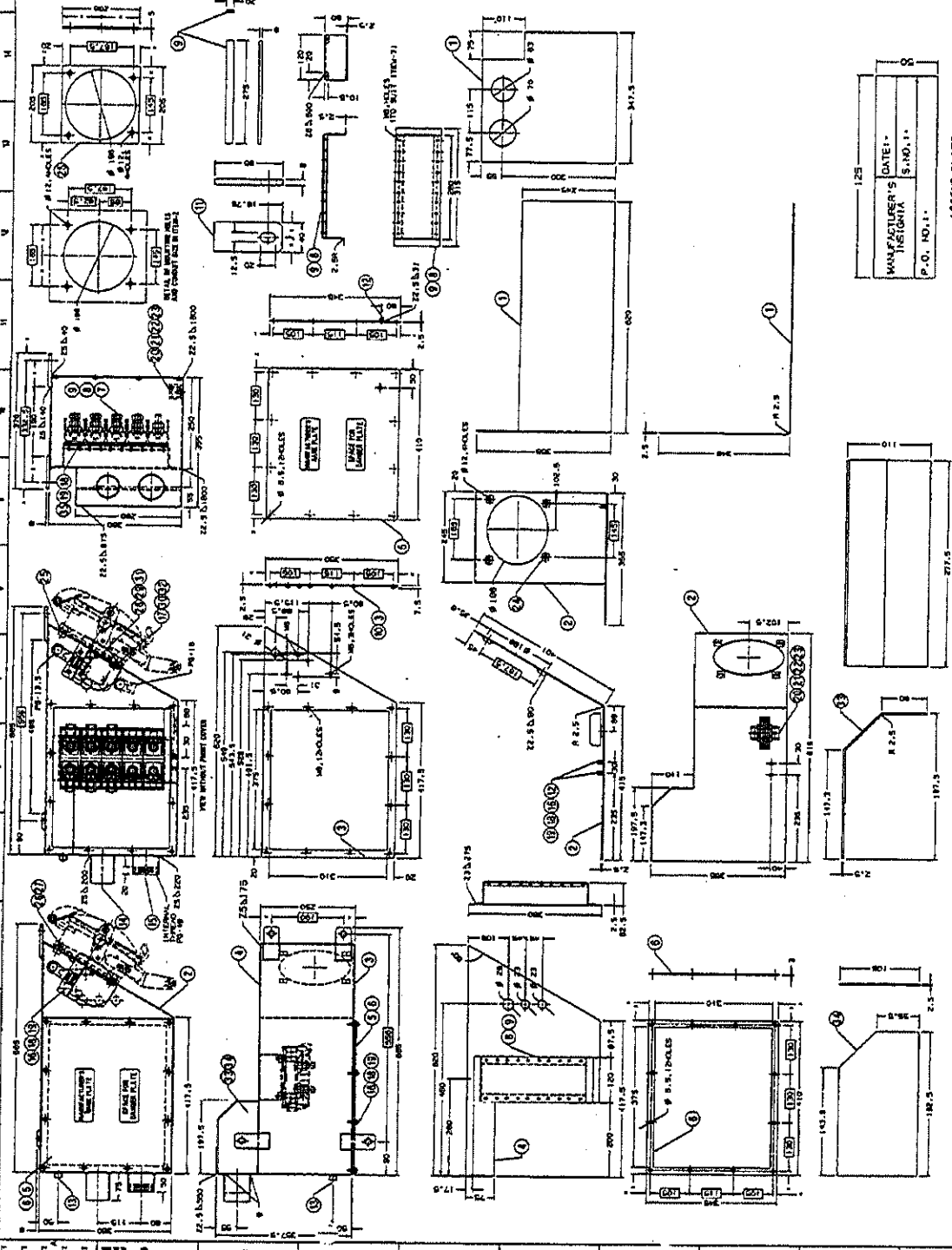
REV. NO. 1

REV. DATE

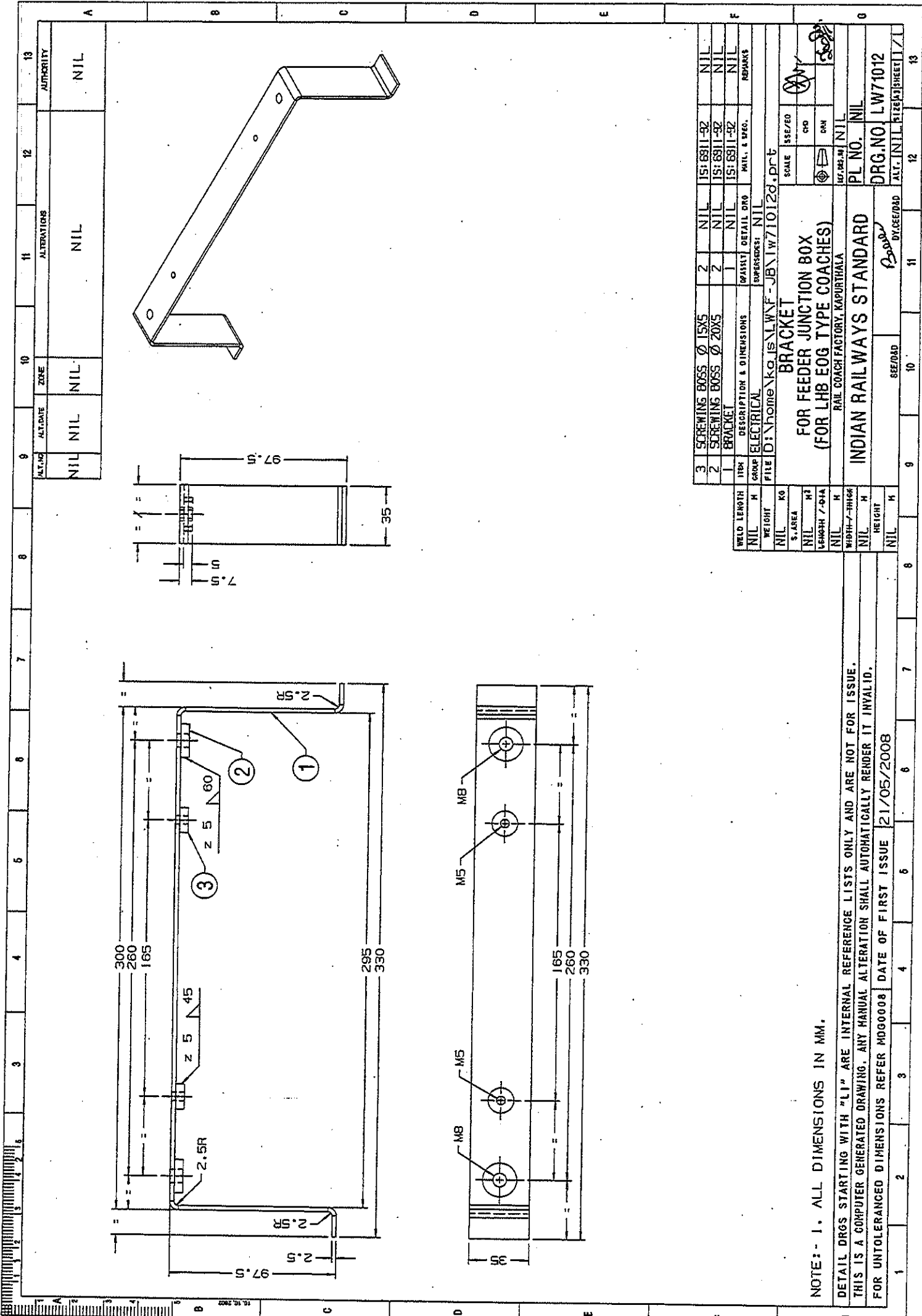
REV. DESCRIPTION

ITEM NO.	DESCRIPTION	QTY	UNIT	REMARKS
1	TOP COVER PLATE 250X200X1.5	1	PC	ITEM-7 MODIFIED
2	FRONT COVER 250X200X1.5	1	PC	ITEM-7 MODIFIED
3	BACK COVER 250X200X1.5	1	PC	ITEM-7 MODIFIED
4	TERMINAL BLOCK	1	PC	ITEM-7 MODIFIED
5	TERMINAL BLOCK	1	PC	ITEM-7 MODIFIED
6	TERMINAL BLOCK	1	PC	ITEM-7 MODIFIED
7	TERMINAL BLOCK	1	PC	ITEM-7 MODIFIED
8	TERMINAL BLOCK	1	PC	ITEM-7 MODIFIED
9	TERMINAL BLOCK	1	PC	ITEM-7 MODIFIED
10	TERMINAL BLOCK	1	PC	ITEM-7 MODIFIED
11	TERMINAL BLOCK	1	PC	ITEM-7 MODIFIED
12	TERMINAL BLOCK	1	PC	ITEM-7 MODIFIED
13	TERMINAL BLOCK	1	PC	ITEM-7 MODIFIED
14	TERMINAL BLOCK	1	PC	ITEM-7 MODIFIED
15	TERMINAL BLOCK	1	PC	ITEM-7 MODIFIED
16	TERMINAL BLOCK	1	PC	ITEM-7 MODIFIED
17	TERMINAL BLOCK	1	PC	ITEM-7 MODIFIED
18	TERMINAL BLOCK	1	PC	ITEM-7 MODIFIED
19	TERMINAL BLOCK	1	PC	ITEM-7 MODIFIED
20	TERMINAL BLOCK	1	PC	ITEM-7 MODIFIED
21	TERMINAL BLOCK	1	PC	ITEM-7 MODIFIED
22	TERMINAL BLOCK	1	PC	ITEM-7 MODIFIED
23	TERMINAL BLOCK	1	PC	ITEM-7 MODIFIED
24	TERMINAL BLOCK	1	PC	ITEM-7 MODIFIED
25	TERMINAL BLOCK	1	PC	ITEM-7 MODIFIED
26	TERMINAL BLOCK	1	PC	ITEM-7 MODIFIED
27	TERMINAL BLOCK	1	PC	ITEM-7 MODIFIED
28	TERMINAL BLOCK	1	PC	ITEM-7 MODIFIED
29	TERMINAL BLOCK	1	PC	ITEM-7 MODIFIED
30	TERMINAL BLOCK	1	PC	ITEM-7 MODIFIED
31	TERMINAL BLOCK	1	PC	ITEM-7 MODIFIED
32	TERMINAL BLOCK	1	PC	ITEM-7 MODIFIED
33	TERMINAL BLOCK	1	PC	ITEM-7 MODIFIED
34	TERMINAL BLOCK	1	PC	ITEM-7 MODIFIED
35	TERMINAL BLOCK	1	PC	ITEM-7 MODIFIED
36	TERMINAL BLOCK	1	PC	ITEM-7 MODIFIED
37	TERMINAL BLOCK	1	PC	ITEM-7 MODIFIED
38	TERMINAL BLOCK	1	PC	ITEM-7 MODIFIED
39	TERMINAL BLOCK	1	PC	ITEM-7 MODIFIED
40	TERMINAL BLOCK	1	PC	ITEM-7 MODIFIED
41	TERMINAL BLOCK	1	PC	ITEM-7 MODIFIED
42	TERMINAL BLOCK	1	PC	ITEM-7 MODIFIED
43	TERMINAL BLOCK	1	PC	ITEM-7 MODIFIED
44	TERMINAL BLOCK	1	PC	ITEM-7 MODIFIED
45	TERMINAL BLOCK	1	PC	ITEM-7 MODIFIED
46	TERMINAL BLOCK	1	PC	ITEM-7 MODIFIED
47	TERMINAL BLOCK	1	PC	ITEM-7 MODIFIED
48	TERMINAL BLOCK	1	PC	ITEM-7 MODIFIED
49	TERMINAL BLOCK	1	PC	ITEM-7 MODIFIED
50	TERMINAL BLOCK	1	PC	ITEM-7 MODIFIED

REV. NO.	REV. DATE	REV. DESCRIPTION
1	10/03/2001	INITIAL ISSUE



REV. NO.	REV. DATE	REV. DESCRIPTION
1	10/03/2001	INITIAL ISSUE

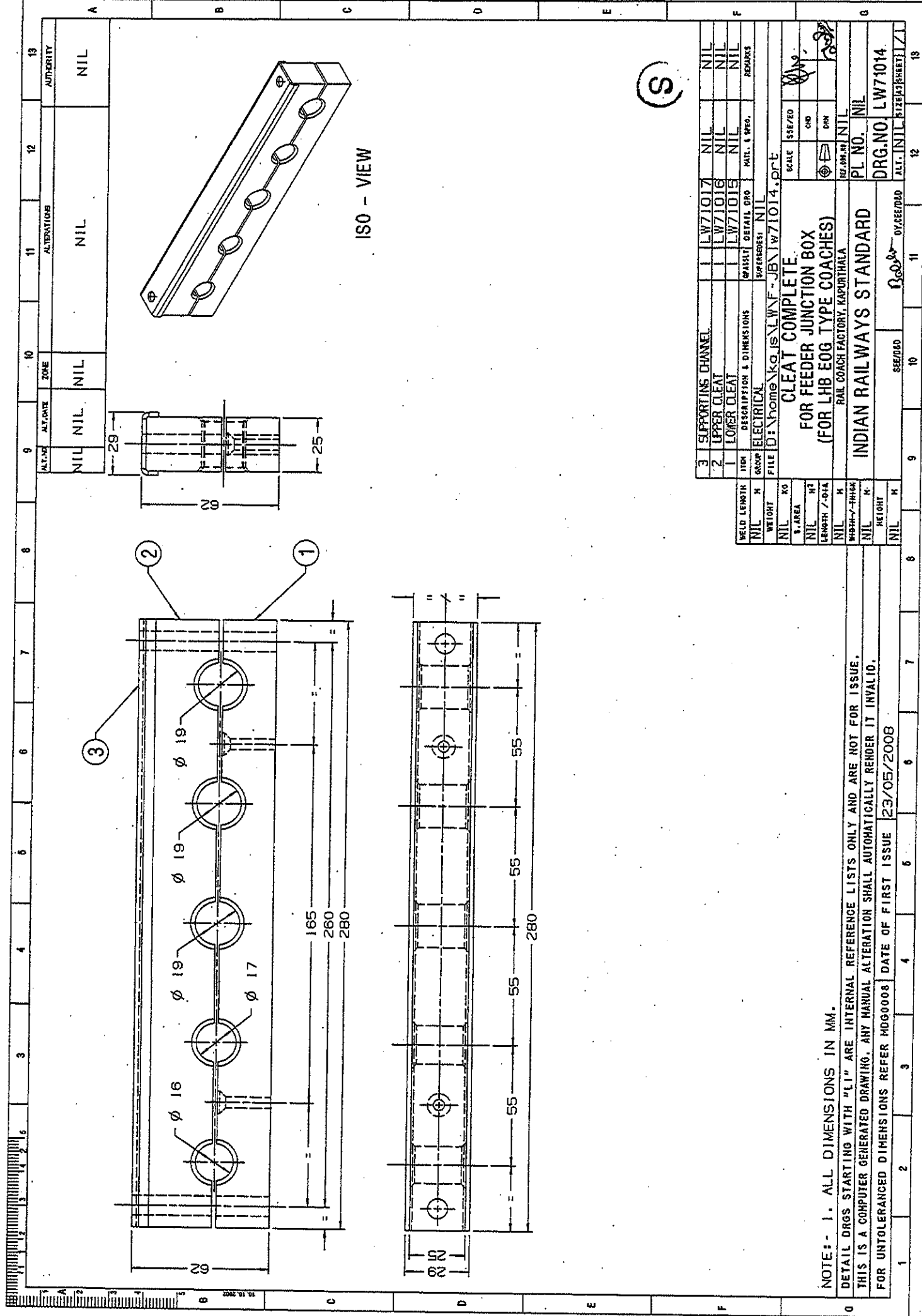


11	12	13
ALTERNATIONS	ZONE	AUTHORITY
NIL	NIL	NIL

3	SCREWING BOSS	Ø 15x5	2	NIL	15:6811-92	NIL
2	SCREWING BOSS	Ø 20x5	2	NIL	15:6811-92	NIL
1	BRACKET		1	NIL	15:6811-92	NIL
DESCRIPTION & DIMENSIONS		DETAIL DRG		MATERIAL & SPEC.		REMARKS
ITEM	GROUP	QUANTITY	EXPRESSIONS			
FILE	D:\home\kalis\W7-12\W71012d.prt		SUPERSEDES: NIL			
BRACKET FOR FEEDER JUNCTION BOX (FOR LHB EGG TYPE COACHES)						
RAIL COACH FACTORY, KAPURTHALA						
INDIAN RAILWAYS STANDARD						
PL NO. NIL						
DRG. NO. LW71012						

WELD LENGTH	MM	
NIL		
WEIGHT	KG	
NIL		
S. AREA	MM ²	
NIL		
LENGTH / DIA	MM	
NIL		
WIDTH / THICK	MM	
NIL		
HEIGHT	MM	
NIL		

NOTE:- 1. ALL DIMENSIONS IN MM.
 DETAIL DRGS STARTING WITH "L1" ARE INTERNAL REFERENCE LISTS ONLY AND ARE NOT FOR ISSUE.
 THIS IS A COMPUTER GENERATED DRAWING. ANY MANUAL ALTERATION SHALL AUTOMATICALLY RENDER IT INVALID.
 FOR UNTOLERANCED DIMENSIONS REFER MDG0008 DATE OF FIRST ISSUE 21/05/2008



ISO - VIEW

NOTE:- 1. ALL DIMENSIONS IN MM.

DETAIL DRGS STARTING WITH "L1" ARE INTERNAL REFERENCE LISTS ONLY AND ARE NOT FOR ISSUE.
THIS IS A COMPUTER GENERATED DRAWING. ANY MANUAL ALTERATION SHALL AUTOMATICALLY RENDER IT INVALID.
FOR UNTOLERANCED DIMENSIONS REFER MDG0008 DATE OF FIRST ISSUE 23/05/2008

WELD LENGTH	NIL	GROUP	ELECTRICAL	ITEM NO	1	DESCRIPTION & DIMENSIONS	DETAIL DRG	MIT. & WEG.	REMARKS
WEIGHT	NIL	NO		FILE	D:\home\kka.is\lwf-jb\lwf1014.dwg				
% AREA	NIL	H2							
LENGTH / DIA	NIL	H3							
WIDTH / THICK	NIL	H4							
HEIGHT	NIL	H5							

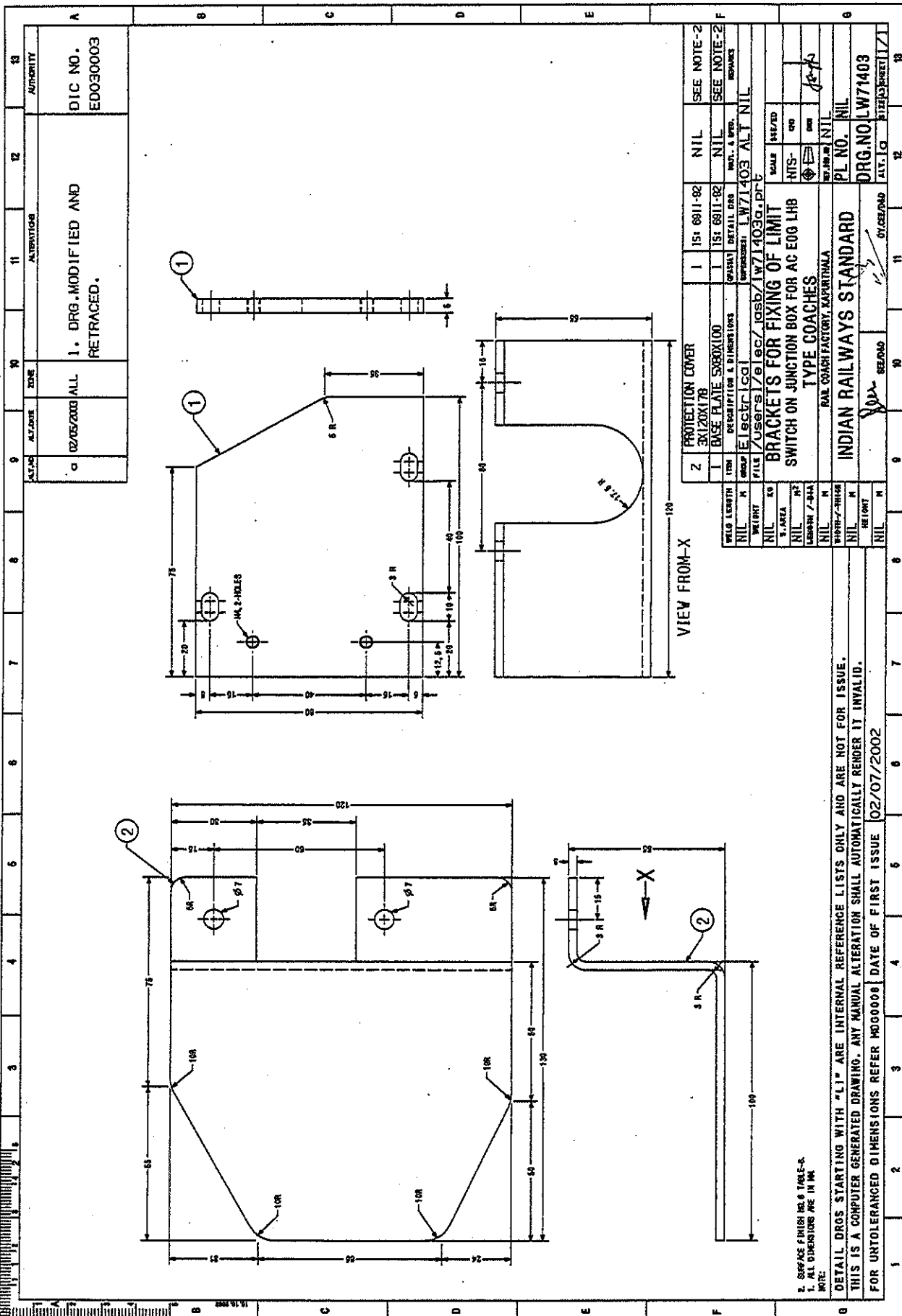
3	SUPPORTING CHANNEL	LW71017	NIL	NIL	NIL
2	UPPER CLEAT	LW71016	NIL	NIL	NIL
1	LOWER CLEAT	LW71015	NIL	NIL	NIL

SCALE	IS/EEZED
CD	
DRN	
REF. DRG. NO.	NIL
PL. NO.	NIL
DRG. NO.	LW71014

CLEAT COMPLETE.
FOR FEEDER JUNCTION BOX
(FOR LHB EGG TYPE COACHES)
RAIL COACH FACTORY, KAPURTHALA
INDIAN RAILWAYS STANDARD

(S)

1	2	3	4	5	6	6	7	8	9	10	11	12	13	
ALT. NO.										ZONE		ALTERATIONS		AUTHORITY
NIL										NIL		NIL		NIL

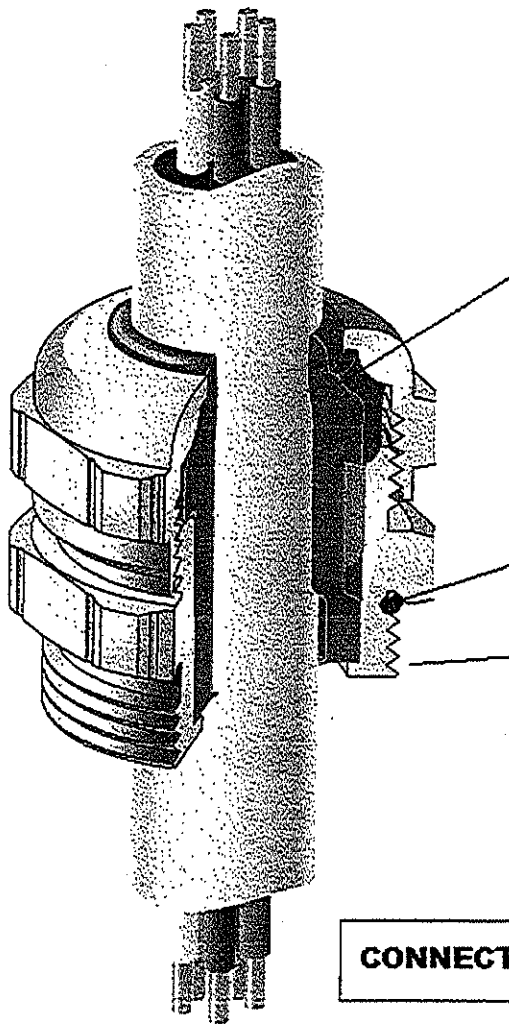


1. DRG. MODIFIED AND RETRACED.

DATE	02/05/2003	ALL	1. DRG. MODIFIED AND RETRACED.
ZONE			
ALTERATION			
AUTHORITY			DIC NO. ED0030003

PROTECTION COVER		1	1st	08/11-02	NIL	SEE NOTE-2
BASE PLATE 5X80X100		1	1st	08/11-02	NIL	SEE NOTE-2
SPECIFICATION & DIMENSIONS		DETAIL DRG				
ELECTRICAL		W71403 ALT NIL				
FILE / USER / SEC / IASB / W71403 (C) / PTV		W71403				
BRACKETS FOR FIXING OF LIMIT SWITCH ON JUNCTION BOX FOR AC EGG LHB TYPE COACHES		RAIL COACH FACTORY, KAPURTHALA				
INDIAN RAILWAYS STANDARD		PL NO. NIL				
ORG. NO. LW71403		ALT. LG				
DATE OF FIRST ISSUE 02/07/2002		DRAWN BY				
FOR UNTOLERANCED DIMENSIONS REFER M000008		CHECKED BY				

NOTE:
 2. SURFACE FINISH AS TABLE-5.
 1. ALL DIMENSIONS ARE IN MM.
 DETAIL DRGS STARTING WITH "LI" ARE INTERNAL REFERENCE LISTS ONLY AND ARE NOT FOR ISSUE.
 THIS IS A COMPUTER GENERATED DRAWING. ANY MANUAL ALTERATION SHALL AUTOMATICALLY RENDER IT INVALID.
 FOR UNTOLERANCED DIMENSIONS REFER M000008



SEALING INSERT
OF SILICONE

SEALING O-RING
NEOPRENE

TO SUIT Pg21

MATERIAL POLYAMIDE PA6
PROTECTION IP68

SKED 609

CONNECTOR FOR FEEDER JUNCTION BOX

SE
SE/CAD
2.12.2009

SE
SEED

CE
DY. CEE/D&D