

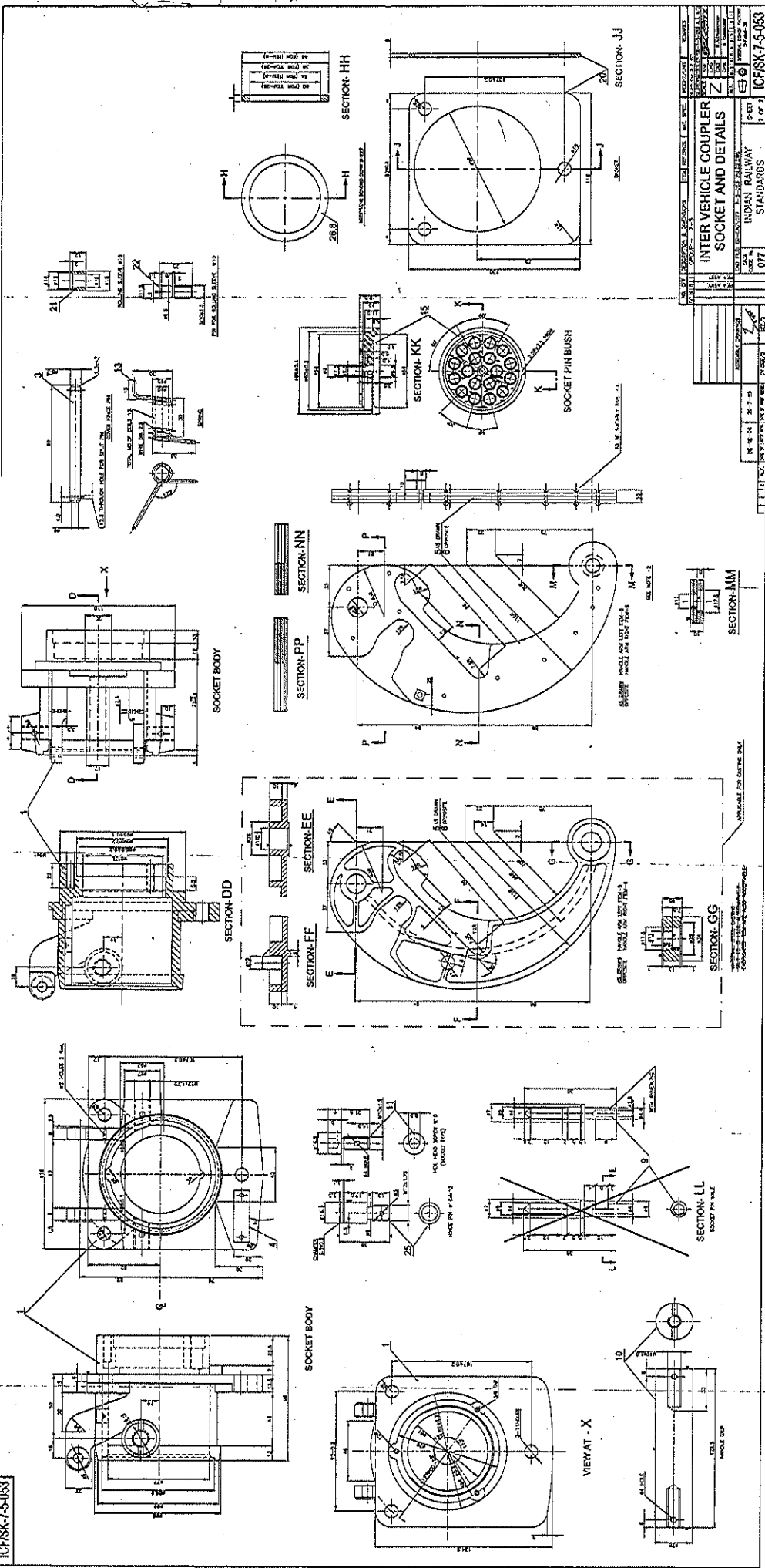
RAIL COACH FACTORY, KAPURTHALA

MATERIAL LIST NO. EDML008
 LIST OF ITEMS FOR INTERVEHICLE COUPLER TO BE
 SUPPLIED IN ONE SET.
 (FOR ART COACHES)

S N O	DESCRIPTION	DRG/SPEC	QPC SUP VAN	QPC TOOL VAN
1	IVC plug set (type A,B,C&D)	ICF/SK-7-5-054 Alt. 'd'	1 set	1 set
2	Dummy Socket set (type A,B,C&D)	ICF/SK-7-5-053 alt. 'g' Col-II	1 set	1 set
3	IVC socket set (type A,B,C&D)	ICF/SK-7-5-053 Alt. 'g' Col-I	1 set	1 set
4	IVC plug set (type A,B&C)	ICF/SK-7-5-054 Alt. 'd'	---	1 set
5	Dummy socket set (type A,B&C)	ICF/SK-7-5-053 Alt. 'g' Col-II	---	1 set
6	IVC socket set (type A,B&C)	ICF/SK-7-5-053 Alt. 'g' Col-I	1 set	1 set
7	Jumper elbow Assy.	ICF/SK-7-2-293 Alt. 'c/2' Col-II	4 Nos.	7 Nos.

EDML008	0	11.6.99	<i>AS</i>	<i>M. S. Jais</i>	<i>K. Jais</i>	1 of 1
Mat. List. No.	Rev.	Date	Prpd.	Chkd.	Appd.	Sheet

ICF/SK-7-5-083



ICF/SK-7-5-083	Sheet 1 of 1
INDIAN RAILWAY STANDARDS	
ICF/SK-7-5-083	

ICF/SK-7-5-083	Sheet 1 of 1
INDIAN RAILWAY STANDARDS	
ICF/SK-7-5-083	

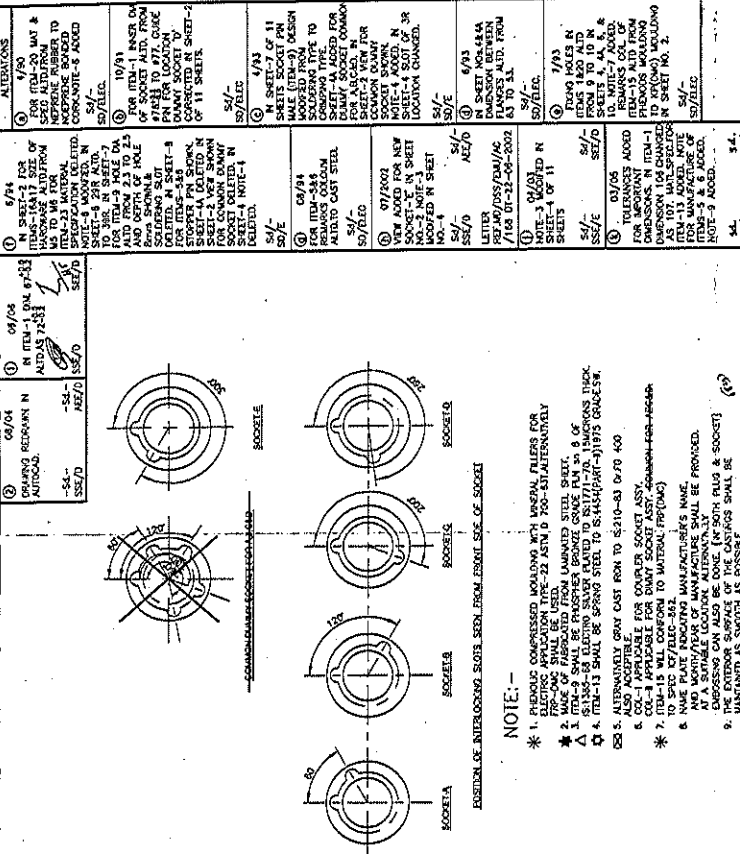
ICF/SK-7-5-083	Sheet 1 of 1
INDIAN RAILWAY STANDARDS	
ICF/SK-7-5-083	

ICF/SK-7-5-083	Sheet 1 of 1
INDIAN RAILWAY STANDARDS	
ICF/SK-7-5-083	

ICF/SK-7-5-083	Sheet 1 of 1
INDIAN RAILWAY STANDARDS	
ICF/SK-7-5-083	

ICF/SK-7-5-083	Sheet 1 of 1
INDIAN RAILWAY STANDARDS	
ICF/SK-7-5-083	

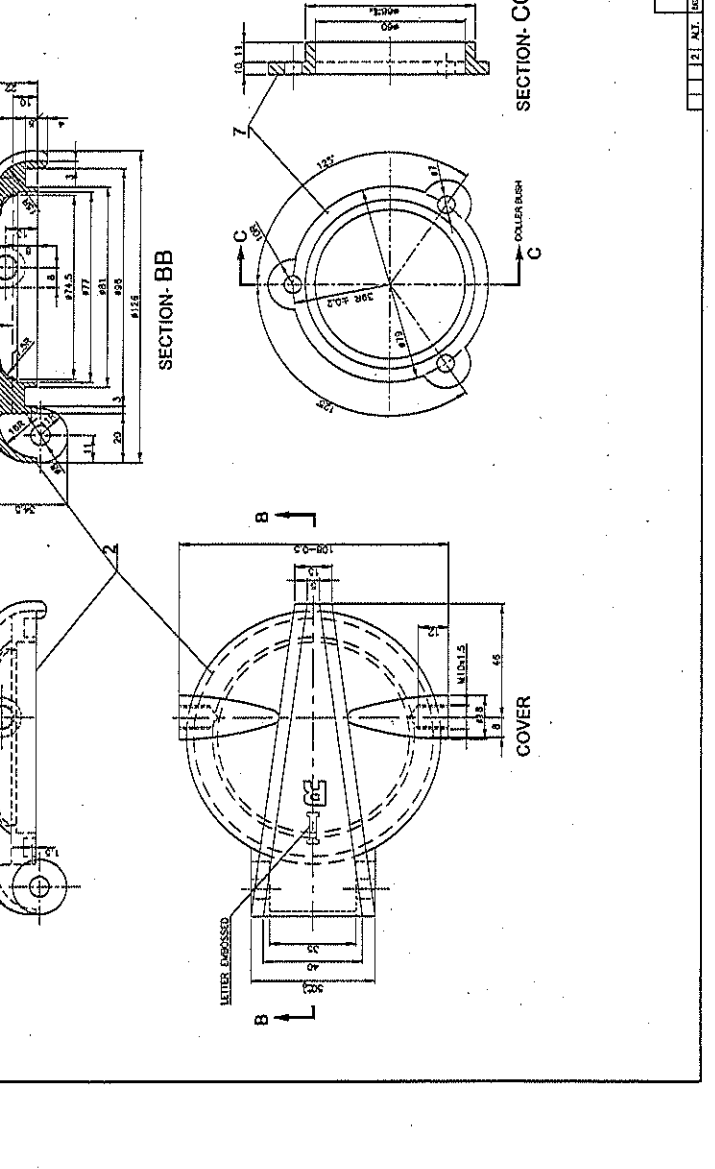
ICF/SK-7-5-083	Sheet 1 of 1
INDIAN RAILWAY STANDARDS	
ICF/SK-7-5-083	



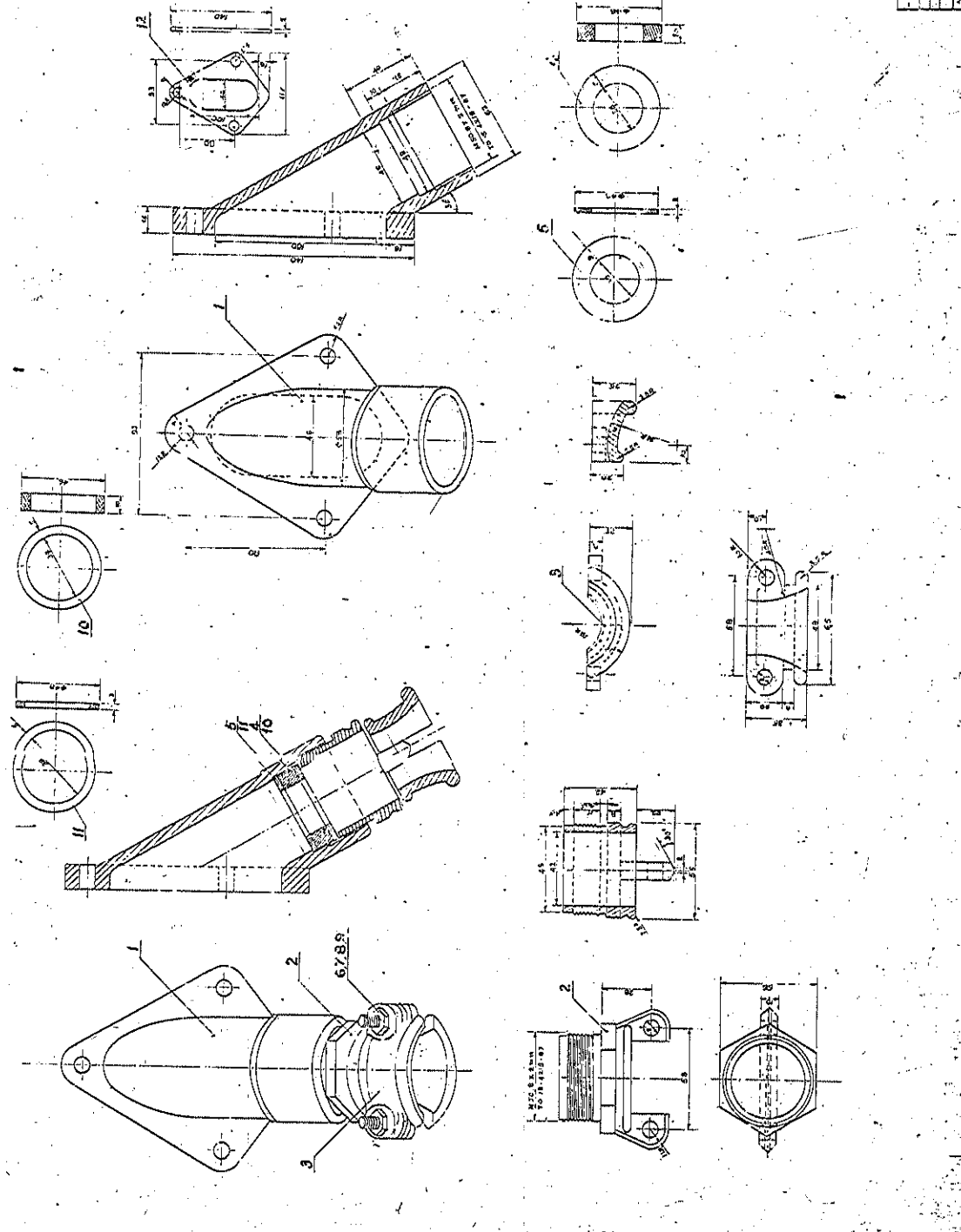
NOTE:-
 * 1. PNEUMATIC COMPRESSED AIR WITH WATER FILTERS FOR PNEUMATIC APPLICATION TYPE-22 ASTM D 700-83 ALTERNATIVELY 1/2" NPT SHALL BE USED.
 * 2. ITEM-9 SHALL BE PHOSPHOR BRONZE GRADE P19 8 OF BS 1482-19 ELECTRO SLIVER PLATED TO BS1771-76 1 MICRON THICK.
 * 3. ITEM-10 SHALL BE SPRING STEEL TO BS4360-1975 GRADE 52A.
 * 4. ITEM-11 SHALL BE SPRING STEEL TO BS4360-1975 GRADE 52A.
 * 5. ALTERNATIVELY GRAY CAST IRON TO BS210-83 D70 400.
 * 6. COL-1 APPLICABLE FOR COUPLER SOCKET ASST.
 * 7. COL-2 APPLICABLE FOR DUMMY SOCKET ASST.
 * 8. COL-3 APPLICABLE FOR DUMMY SOCKET ASST.
 * 9. THE EXTENSIVE SURFACE OF THE CASINGS SHALL BE UNPAINTED TO SUPPORT AS POSSIBLE.
 * 10. NAME PLATE INDICATING MANUFACTURER'S NAME AND ADDRESS SHALL BE PROVIDED.
 * 11. AT A SUITABLE LOCATION ALTERNATIVELY.
 * 12. THE DIMENSIONS SHALL BE AS SHOWN IN THE DRAWING.
 * 13. UNLESS OTHERWISE SPECIFIED, ALL DIMENSIONS SHALL BE IN MILLIMETERS.
 * 14. DIMENSIONS IN PARENTHESES ARE FOR INFORMATION ONLY.
 * 15. DIMENSIONS IN SQUARE BRACKETS ARE FOR INFORMATION ONLY.
 * 16. DIMENSIONS IN BRACKETS ARE FOR INFORMATION ONLY.
 * 17. DIMENSIONS IN BRACKETS ARE FOR INFORMATION ONLY.
 * 18. DIMENSIONS IN BRACKETS ARE FOR INFORMATION ONLY.
 * 19. DIMENSIONS IN BRACKETS ARE FOR INFORMATION ONLY.
 * 20. DIMENSIONS IN BRACKETS ARE FOR INFORMATION ONLY.
 * 21. DIMENSIONS IN BRACKETS ARE FOR INFORMATION ONLY.
 * 22. DIMENSIONS IN BRACKETS ARE FOR INFORMATION ONLY.
 * 23. DIMENSIONS IN BRACKETS ARE FOR INFORMATION ONLY.
 * 24. DIMENSIONS IN BRACKETS ARE FOR INFORMATION ONLY.
 * 25. DIMENSIONS IN BRACKETS ARE FOR INFORMATION ONLY.
 * 26. DIMENSIONS IN BRACKETS ARE FOR INFORMATION ONLY.
 * 27. DIMENSIONS IN BRACKETS ARE FOR INFORMATION ONLY.
 * 28. DIMENSIONS IN BRACKETS ARE FOR INFORMATION ONLY.
 * 29. DIMENSIONS IN BRACKETS ARE FOR INFORMATION ONLY.
 * 30. DIMENSIONS IN BRACKETS ARE FOR INFORMATION ONLY.
 * 31. DIMENSIONS IN BRACKETS ARE FOR INFORMATION ONLY.
 * 32. DIMENSIONS IN BRACKETS ARE FOR INFORMATION ONLY.
 * 33. DIMENSIONS IN BRACKETS ARE FOR INFORMATION ONLY.
 * 34. DIMENSIONS IN BRACKETS ARE FOR INFORMATION ONLY.
 * 35. DIMENSIONS IN BRACKETS ARE FOR INFORMATION ONLY.
 * 36. DIMENSIONS IN BRACKETS ARE FOR INFORMATION ONLY.
 * 37. DIMENSIONS IN BRACKETS ARE FOR INFORMATION ONLY.
 * 38. DIMENSIONS IN BRACKETS ARE FOR INFORMATION ONLY.
 * 39. DIMENSIONS IN BRACKETS ARE FOR INFORMATION ONLY.
 * 40. DIMENSIONS IN BRACKETS ARE FOR INFORMATION ONLY.
 * 41. DIMENSIONS IN BRACKETS ARE FOR INFORMATION ONLY.
 * 42. DIMENSIONS IN BRACKETS ARE FOR INFORMATION ONLY.
 * 43. DIMENSIONS IN BRACKETS ARE FOR INFORMATION ONLY.
 * 44. DIMENSIONS IN BRACKETS ARE FOR INFORMATION ONLY.
 * 45. DIMENSIONS IN BRACKETS ARE FOR INFORMATION ONLY.
 * 46. DIMENSIONS IN BRACKETS ARE FOR INFORMATION ONLY.
 * 47. DIMENSIONS IN BRACKETS ARE FOR INFORMATION ONLY.
 * 48. DIMENSIONS IN BRACKETS ARE FOR INFORMATION ONLY.
 * 49. DIMENSIONS IN BRACKETS ARE FOR INFORMATION ONLY.
 * 50. DIMENSIONS IN BRACKETS ARE FOR INFORMATION ONLY.
 * 51. DIMENSIONS IN BRACKETS ARE FOR INFORMATION ONLY.
 * 52. DIMENSIONS IN BRACKETS ARE FOR INFORMATION ONLY.
 * 53. DIMENSIONS IN BRACKETS ARE FOR INFORMATION ONLY.
 * 54. DIMENSIONS IN BRACKETS ARE FOR INFORMATION ONLY.
 * 55. DIMENSIONS IN BRACKETS ARE FOR INFORMATION ONLY.
 * 56. DIMENSIONS IN BRACKETS ARE FOR INFORMATION ONLY.
 * 57. DIMENSIONS IN BRACKETS ARE FOR INFORMATION ONLY.
 * 58. DIMENSIONS IN BRACKETS ARE FOR INFORMATION ONLY.
 * 59. DIMENSIONS IN BRACKETS ARE FOR INFORMATION ONLY.
 * 60. DIMENSIONS IN BRACKETS ARE FOR INFORMATION ONLY.
 * 61. DIMENSIONS IN BRACKETS ARE FOR INFORMATION ONLY.
 * 62. DIMENSIONS IN BRACKETS ARE FOR INFORMATION ONLY.
 * 63. DIMENSIONS IN BRACKETS ARE FOR INFORMATION ONLY.
 * 64. DIMENSIONS IN BRACKETS ARE FOR INFORMATION ONLY.
 * 65. DIMENSIONS IN BRACKETS ARE FOR INFORMATION ONLY.
 * 66. DIMENSIONS IN BRACKETS ARE FOR INFORMATION ONLY.
 * 67. DIMENSIONS IN BRACKETS ARE FOR INFORMATION ONLY.
 * 68. DIMENSIONS IN BRACKETS ARE FOR INFORMATION ONLY.
 * 69. DIMENSIONS IN BRACKETS ARE FOR INFORMATION ONLY.
 * 70. DIMENSIONS IN BRACKETS ARE FOR INFORMATION ONLY.
 * 71. DIMENSIONS IN BRACKETS ARE FOR INFORMATION ONLY.
 * 72. DIMENSIONS IN BRACKETS ARE FOR INFORMATION ONLY.
 * 73. DIMENSIONS IN BRACKETS ARE FOR INFORMATION ONLY.
 * 74. DIMENSIONS IN BRACKETS ARE FOR INFORMATION ONLY.
 * 75. DIMENSIONS IN BRACKETS ARE FOR INFORMATION ONLY.
 * 76. DIMENSIONS IN BRACKETS ARE FOR INFORMATION ONLY.
 * 77. DIMENSIONS IN BRACKETS ARE FOR INFORMATION ONLY.
 * 78. DIMENSIONS IN BRACKETS ARE FOR INFORMATION ONLY.
 * 79. DIMENSIONS IN BRACKETS ARE FOR INFORMATION ONLY.
 * 80. DIMENSIONS IN BRACKETS ARE FOR INFORMATION ONLY.
 * 81. DIMENSIONS IN BRACKETS ARE FOR INFORMATION ONLY.
 * 82. DIMENSIONS IN BRACKETS ARE FOR INFORMATION ONLY.
 * 83. DIMENSIONS IN BRACKETS ARE FOR INFORMATION ONLY.
 * 84. DIMENSIONS IN BRACKETS ARE FOR INFORMATION ONLY.
 * 85. DIMENSIONS IN BRACKETS ARE FOR INFORMATION ONLY.
 * 86. DIMENSIONS IN BRACKETS ARE FOR INFORMATION ONLY.
 * 87. DIMENSIONS IN BRACKETS ARE FOR INFORMATION ONLY.
 * 88. DIMENSIONS IN BRACKETS ARE FOR INFORMATION ONLY.
 * 89. DIMENSIONS IN BRACKETS ARE FOR INFORMATION ONLY.
 * 90. DIMENSIONS IN BRACKETS ARE FOR INFORMATION ONLY.
 * 91. DIMENSIONS IN BRACKETS ARE FOR INFORMATION ONLY.
 * 92. DIMENSIONS IN BRACKETS ARE FOR INFORMATION ONLY.
 * 93. DIMENSIONS IN BRACKETS ARE FOR INFORMATION ONLY.
 * 94. DIMENSIONS IN BRACKETS ARE FOR INFORMATION ONLY.
 * 95. DIMENSIONS IN BRACKETS ARE FOR INFORMATION ONLY.
 * 96. DIMENSIONS IN BRACKETS ARE FOR INFORMATION ONLY.
 * 97. DIMENSIONS IN BRACKETS ARE FOR INFORMATION ONLY.
 * 98. DIMENSIONS IN BRACKETS ARE FOR INFORMATION ONLY.
 * 99. DIMENSIONS IN BRACKETS ARE FOR INFORMATION ONLY.
 * 100. DIMENSIONS IN BRACKETS ARE FOR INFORMATION ONLY.

SECTION-AA
 SECTION-BB
 SECTION-CC

NO. OF DESCRIPTION & DIMENSIONS	ITEM	REF. DIMS.	WGT. SFD.	REMARKS
1. GASKET	26	Ø140-Ø8		NEOPRENE RUBBER
2. BRICE PIN Ø16x12	25	Ø16x12		GAUO
3. SPAT PIN Ø12.5x20	24	Ø12.5x20		Ø12x8
4. PLUG SOCKET PIN HOUSING	23	Ø12.5x20		BRASS CEN AT PIN HOUSING END Ø12x20
5. PIN FOR ROLLING SLEEVE MID	22	Ø12.5x20		
6. ROLLING SLEEVE Ø10	21	Ø10x20		
7. GASKET	20	Ø10x20		
8. WASHER Ø16/Ø25/10mm	19	Ø16/Ø25/10		
9. PIN Ø4x20	18	Ø4x20		
10. SPRING WASHER	17	Ø10x10		
11. HEAD SCREW M8x20	16	M8x20		
12. SOCKET PIN BUSH	15	Ø10x20		
13. DRILL Ø10	14	Ø10x20		
14. SPRING	13	Ø10x20		
15. PLAIN WASHER Ø10x18/1mm	12	Ø10x18/1		
16. HEAD SCREW M10x1.5x25	11	M10x1.5x25		
17. HANDLE GRIP	10	Ø10x20		
18. SOCKET PIN MALE	9	Ø10x20		
19. GASKET	8	Ø10x20		
20. COLLAR BUSH	7	Ø10x20		
21. HANDLE ARM RIGHT	6	Ø10x20		
22. HANDLE ARM LEFT	5	Ø10x20		
23. NAME PLATE	4	Ø10x20		
24. COVER BRICE PIN	3	Ø10x20		
25. COVER	2	Ø10x20		
26. SOCKET BODY	1	Ø10x20		



DRAWING APPROVAL
 DATE: 07/11/10
 APPROVED BY: [Signature]
 PROJECT: [Project Name]
 DRAWING NO.: [Drawing No.]
 SHEET NO.: [Sheet No.]



③

TYPE OF COACH	NO. OF COACH
EMULSION	8
PAINTER	4
PREMIER	4
REPAIRER	4

INDEX:
 1. THE JUMPER ASSEMBLY IS TO BE PAINTED BLACK.
 2. COIL IS NOT TO BE USED IN THIS ASSEMBLY.
 3. COIL IS NOT TO BE USED IN THIS ASSEMBLY.
 4. COIL IS NOT TO BE USED IN THIS ASSEMBLY.
 5. COIL IS NOT TO BE USED IN THIS ASSEMBLY.
 6. COIL IS NOT TO BE USED IN THIS ASSEMBLY.
 7. COIL IS NOT TO BE USED IN THIS ASSEMBLY.
 8. COIL IS NOT TO BE USED IN THIS ASSEMBLY.
 9. COIL IS NOT TO BE USED IN THIS ASSEMBLY.
 10. COIL IS NOT TO BE USED IN THIS ASSEMBLY.
 11. COIL IS NOT TO BE USED IN THIS ASSEMBLY.
 12. COIL IS NOT TO BE USED IN THIS ASSEMBLY.

ITEM NO.	DESCRIPTION	QTY	UNIT	REMARKS
1	BASKET	1	EA	
2	BRACKET	1	EA	
3	BRACKET	1	EA	
4	PLAIN WELDED	1	EA	
5	PLAIN WELDED	1	EA	
6	PLAIN WELDED	1	EA	
7	PLAIN WELDED	1	EA	
8	PLAIN WELDED	1	EA	
9	PLAIN WELDED	1	EA	
10	PLAIN WELDED	1	EA	
11	PLAIN WELDED	1	EA	
12	PLAIN WELDED	1	EA	

JUMPER ELBOW ASSY
 INDIAN RAILWAY
 STANDARDS
 I.R.S. 1000

DATE: 07/11/10
 DRAWING NO.: [Drawing No.]
 SHEET NO.: [Sheet No.]