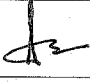
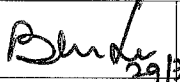
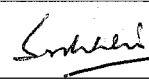
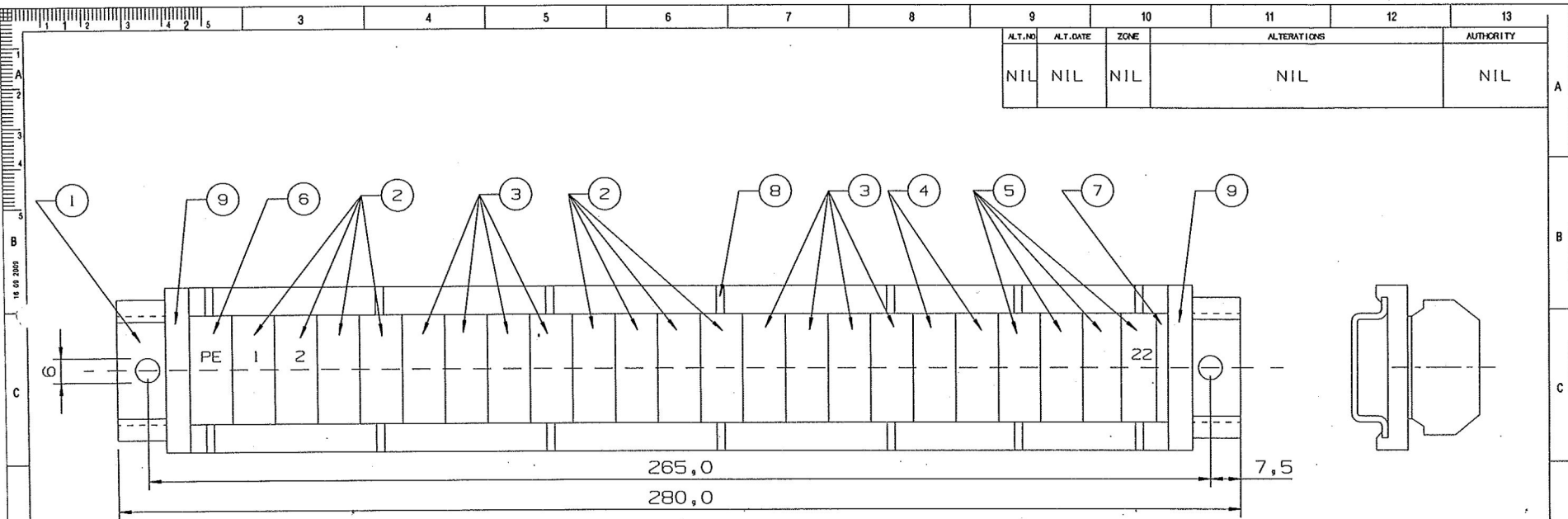


TERMINAL STRIP FOR LHB GS AC COACHES (100 SEATER)

Sr. No.	ITEM DESCRIPTION	DRG./SPEC.No.	UNIT	QTY	REMARKS
1.	4-Conductor terminal strip 2.5 sq.mm. (17-pole)	4-Conductor terminal block: Cat. no. 261-331 (17 nos.) End Plate: Cat. no. 261-361 (1 no.) of M/s Wago/Phoenix/ Weidmuller or equivalent approved make.	1	10	For mobile charging points/chain pull alarm circuit/BLDC fan/middle doorway.
2.	4-Conductor terminal strip 2.5 sq.mm. (10-pole)	Cat. no. 261-210 of M/s Wago/Phoenix/Weidmuller or equivalent approved make.	1	10	For LED lights compartment area.
3.	Flat connecting complete (with bracket to drawing no. CC72431)	CC72428	1	2	For PA system (Vestibule area).

EDML-175	Nil	07/28/21				1 of 1
Document. No.	Rev.	Date	SSE/CAD	SEE/D&D	Dy.CEE/D&D	Page



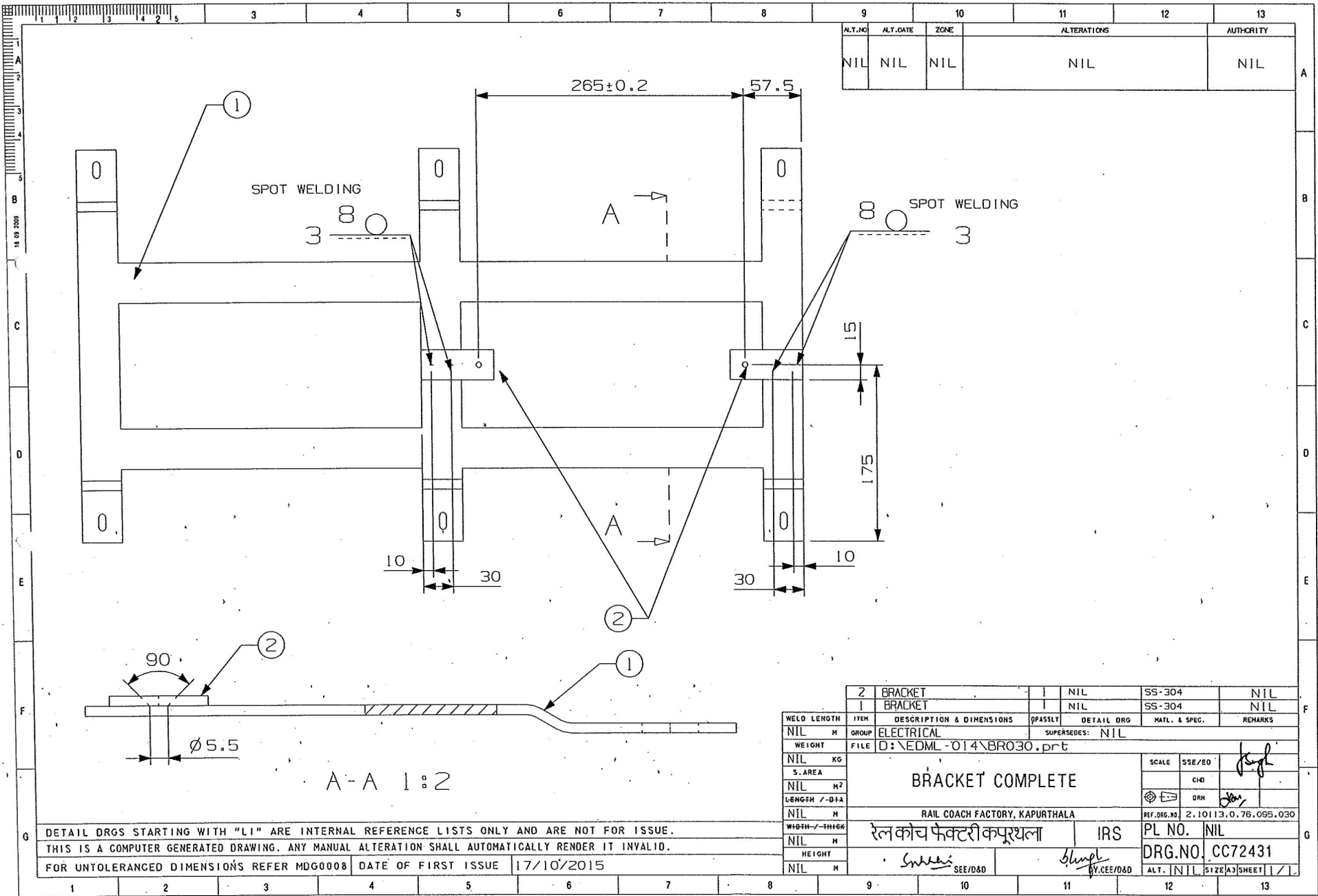
ALT.NO	ALT.DATE	ZONE	ALTERATIONS	AUTHORITY
NIL	NIL	NIL	NIL	NIL

ITEM	DESCRIPTION & DIMENSIONS	QTY	DETAIL DRG	MAT. & SPEC	REMARKS
10	DESIGNATION PLATE.	1	PE, 1-22 WHITE	NIL	M/S WAGO OR OTHER APPROVED MAKE
9	END STOP.	2	CAT.NO.209-137, 6.5 MM WIDE, GREY.	NIL	M/S WAGO OR OTHER APPROVED MAKE
8	MOUNTING ADAPTER.	7	CAT.NO.209-120, 6 MM WIDE, GREY.	NIL	M/S WAGO OR OTHER APPROVED MAKE
7	END PLATE WITH FIXING FLANGE.	1	CAT.NO.262-371, COLOUR GREY	NIL	M/S WAGO, PHOENIX, WEIDMULLER OR OTHER APPROVED MAKE
6	4-CONDUCTOR TERMINAL BLOCK	1	CAT.NO.262-347, 4 SOMM GREEN YELLOW	NIL	M/S WAGO, PHOENIX, WEIDMULLER OR OTHER APPROVED MAKE
5	4-CONDUCTOR TERMINAL BLOCK	4	CAT.NO.262-341, 4 SOMM COLOUR GREY	NIL	M/S WAGO, PHOENIX, WEIDMULLER OR OTHER APPROVED MAKE
4	4-CONDUCTOR TERMINAL BLOCK	2	CAT.NO. 261-346, 2,5 SOMM COLOR ORANGE	NIL	M/S WAGO, PHOENIX, WEIDMULLER OR OTHER APPROVED MAKE
3	4-CONDUCTOR TERMINAL BLOCK	8	CAT.NO.261-343, 2,5 SOMM LIGHT GREY	NIL	M/S WAGO, PHOENIX, WEIDMULLER OR OTHER APPROVED MAKE
2	4-CONDUCTOR TERMINAL BLOCK	8	CAT.NO.261-341, 2,5 SOMM COLOR GREY.	NIL	M/S WAGO, PHOENIX, WEIDMULLER OR OTHER APPROVED MAKE
1	SUPPORTING RAIL	1	CAT.NO.210-229	ZINC-PLATED, STEEL	M/S WAGO OR OTHER APPROVED MAKE

NOTE:- ALL DIMENSIONS IN MM.

DETAIL DRGS STARTING WITH "LI" ARE INTERNAL REFERENCE LISTS ONLY AND ARE NOT FOR ISSUE.
 THIS IS A COMPUTER GENERATED DRAWING. ANY MANUAL ALTERATION SHALL AUTOMATICALLY RENDER IT INVALID.
 FOR UNTOLERANCED DIMENSIONS REFER MDG0008 DATE OF FIRST ISSUE 15/10/2015

ITEM	DESCRIPTION & DIMENSIONS	QTY	DETAIL DRG	MAT. & SPEC	REMARKS
NIL	GROUP ELECTRICAL				SUPERSEDES: NIL
WEIGHT	FILE D:\EDML-014\023.prt				
NIL					
SCALE	SSE/ED				
NIL					
CHD					
ORR					
REF.DRG.NO	3, 10113, 0, 76, 095, 023				
PL NO.	NIL				
DRG.NO.	CC 72428				
ALT.	NIL	S12E	A3	SHEET	1/1



ALT. NO.	ALT. DATE	ZONE	ALTERATIONS	AUTHORITY
NIL	NIL	NIL	NIL	NIL

2	BRACKET	1	NIL	SS-304	NIL	
1	BRACKET	1	NIL	SS-304	NIL	
WELD LENGTH	ITEM	DESCRIPTION & DIMENSIONS	OPASSLT	DETAIL DRG	MATL. & SPEC.	REMARKS
NIL	M	GROUP ELECTRICAL				
WEIGHT	FILE	D:\EDML-014\BR030.prt				
NIL	KG	SUPERSEDES: NIL				
S. AREA		BRACKET COMPLETE			SCALE	SSE/ED
NIL	M ²					CHD
LENGTH / -DIA		RAIL COACH FACTORY, KAPURTHALA			DRN	DRN
NIL	M	रेल कोच फैक्टरी कपुरथला			REF. DRG. NO.	2.10113.0.76.065.030
WIDTH / THICK		IRS	PL NO.	NIL		
NIL	M	SEE/D&D	DRG. NO.	CC72431		
HEIGHT		SEE/D&D	ALT.	NIL	SIZE A3	SHEET 1/1
NIL	M					

DETAIL DRGS STARTING WITH "L1" ARE INTERNAL REFERENCE LISTS ONLY AND ARE NOT FOR ISSUE.
 THIS IS A COMPUTER GENERATED DRAWING. ANY MANUAL ALTERATION SHALL AUTOMATICALLY RENDER IT INVALID.
 FOR UNTOLERANCED DIMENSIONS REFER MDG0008 DATE OF FIRST ISSUE 17/10/2015

A-A 1:2